
CH7025/CH7026 TV/VGA Encoder

FEATURES

- Support multiple output formats. Such as SDTV format (NTSC and PAL), HDTV format for 480p,576p,720p and 1080i, analog RGB output for VGA. Sync signals can be provided in separated or composite manner (Programmable composite sync generation).
- Three on-chip 10-bit high speed DACs providing flexible output capabilities. Such as single, double or triple CVBS outputs, YPbPr output, RGB output and simultaneous CVBS and S-video outputs.
- Internal embedded 16Mbits SDRAM is used as frame buffer. Supporting for frame rate conversion. 90/180/270 degree image rotation and vertical or horizontal flip functions are supported.
- Programmable 24-bit/18-bit/16-bit/15-bit/12-bit/8-bit digital input interface supports various RGB (RGB888, RGB666, RGB565 and etc), YCbCr (4:4:4 YCbCr, ITU656) and 2x or 3x multiplexed input. CPU/Memory interface are supported.
- Support for flexible input resolution is up to 800x800 and 1024x680. 320x240, 640x480, 960x720 are support.
- Bypass mode is supported.
- Flexible up and down scaling engine is embedded including de-flickering capability. Text enhancement is supported.
- Pixel by pixel brightness, contrast, hue and saturation adjustment for each kind of output are supported. For RGB output, only brightness and contrast adjustment are supported.
- Pixel by pixel horizontal position adjustment and line by line vertical position adjustment are supported.
- Fully programmable through serial port. IO and SPC/SPD voltage supported is from 1.2V to 3.3V.
- TV/Monitor connection detect capability.
- Programmable power management. DAC can be switched off based on detection result (Driver support is required).
- Flexible pixel clock frequency from graphics controller is supported (2.3MHz –120MHz). Flexible input clock from crystal or oscillator is supported (2.3MHz – 64MHz).
- Macrovision™ 7.1.L1 for SDTV is supported in CH7025 (CH7026 is Non-Macrovision part.). Macrovision™ copy protection support for progressive scan TV (480p, 576p CH7025 only).
- CGMS-A support for SDTV and HDTV (CH7025 only).
- Offered in BGA or QFP package.

GENERAL DESCRIPTION

The CH7025/CH7026 is a device targeting handheld and similar consumer systems which accept digital input signal. CH7025/CH7026 encodes and transmits data through 10-bit DACs. The device is able to encode the video signals and generate synchronization signals SDTV format for NTSC and PAL standards and HDTV format for 480p,576p,720p and 1080i. Analog RGB output and composite SYNC signal are also supported. The device accepts different data formats including RGB and YCbCr (e.g. RGB565, RGB666, RGB888, ITU656 like YCbCr, etc.).Both interlaced and non-interlaced input data formats are supported. 16Mbit SDRAM is embedded in package. Frame rate conversion, Image rotation, zooming and scaling, are supported.

Note: the above feature list is subject to change without notice. Please contact Chrontel for more information and current updates.

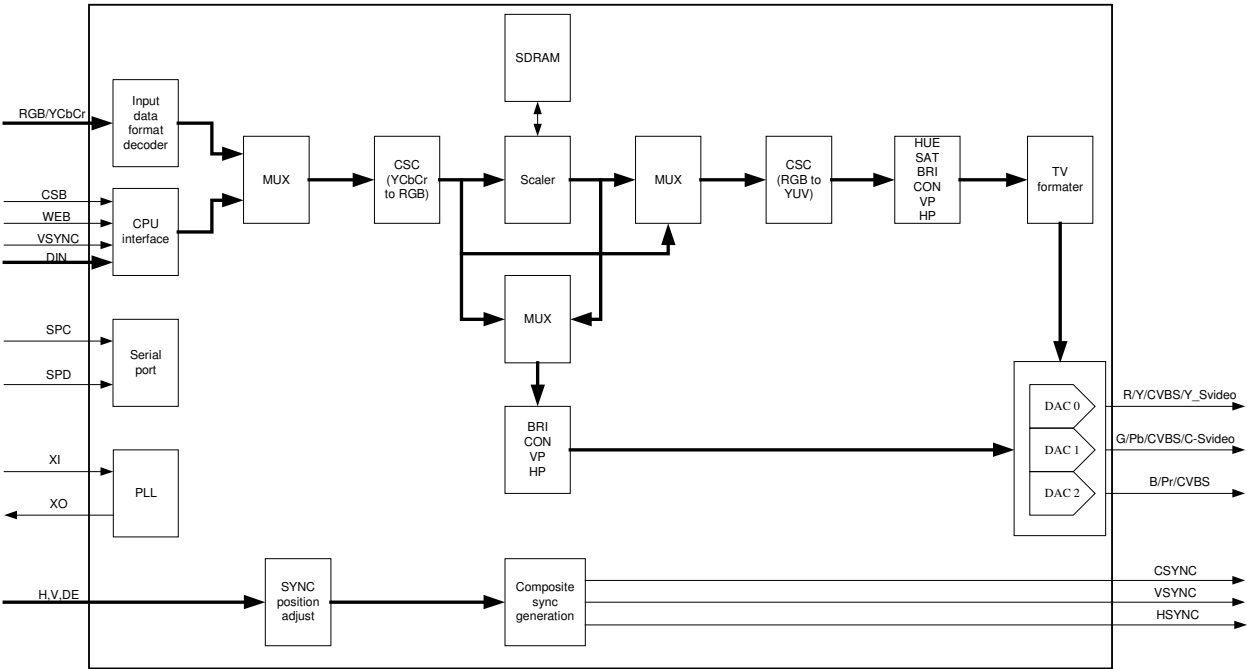


Figure 1: CH7025/CH7026 Block Diagram

Table of Contents

FEATURES..... 1

GENERAL DESCRIPTION..... 1

1.0 PIN-OUT..... 6

 1.1 Package Diagram6

 1.2 Pin Description7

2.0 FUNCTIONAL DESCRIPTION..... 11

2.1 Input Interface11

 2.1.1 Overview.....11

 2.1.2 Input Clock and Data Timing Diagram.....11

 2.1.3 Input Data Voltage.....12

 2.1.4 Input Data Format.....12

2.2 Chip Output14

 2.2.1 TV Output.....14

 2.2.2 VGA Output.....15

 2.2.3 Video DAC Output15

 2.2.4 DAC Single/Double Termination15

 2.2.5 Video DAC Connection Detect15

 2.2.6 Picture Enhancement15

 2.2.7 Color Sub-carrier Generation.....15

 2.2.8 ITU-R BT.470 Compliance16

2.3 Testing Functions and Power Down Mode16

 2.3.1 Test Pattern Select16

 2.3.2 SDRAM Power Down16

2.4 Serial Port.....16

 2.4.1 Introduction.....16

 2.4.2 Electrical Characteristics of the Serial Port17

 2.4.3 Transfer Protocol17

 2.4.4 Chrontel Encoder Write Cycle Protocol (R/W* = 0).....18

 2.4.5 Chrontel Encoder Read Cycle Protocol (R/W* = 1).....19

3.0 ELECTRICAL SPECIFICATIONS 21

 3.1 Absolute Maximum Ratings21

 3.2 Recommended Operating Conditions21

 3.3 Electrical Characteristics22

 3.4 Digital Inputs / Outputs.....22

 3.5 AC Specifications23

4.0 PACKAGE DIMENSIONS..... 24

5.0 REVISION HISTORY..... 26

FIGURES AND TABLES**List of Figures**

Figure 1: CH7025/CH7026 Block Diagram	2
Figure 2: BGA Package (Top View)	6
Figure 3: 80 Pin LQFP Package	7
Figure 4: Clock and Data Input Timing in 3x Multiplexed Mode	11
Figure 5: SDR and DDR Input Data Formats	11
Figure 6: Horizontal Input Timing	12
Figure 7: Vertical Input Timing	12
Figure 8: CPU/MEMORY Interface Timing	12
Figure 9: The Connection of the Serial Port Interface	17
Figure 10: Acknowledge Protocol	19
Figure 11: Single-step Write Cycles (2 cycles)	19
Figure 12: Auto-Increment Write Cycle	19
Figure 13: Single-step Read Cycles (2 cycles)	20
Figure 14: Auto-increment Read Cycles	20
Figure 15: 80 Pin TFBGA Package	24
Figure 16: 80 Pin LQFP Package	25

List of Tables

Table 1: Pin Name Description (BGA Package)	7
Table 2: Pin Name Descriptions (LQFP80 Package)	9
Table 3: Input Data Format	13
Table 4: Supported SDTV Standards	14
Table 5: Supported EDTV/HDTV Standards	14
Table 6: Composite Sync Type	15
Table 7: Video DAC Configurations for CH7025/CH7026	15
Table 8: Test Pattern Selection	16

1.0 PIN-OUT

1.1 Package Diagram

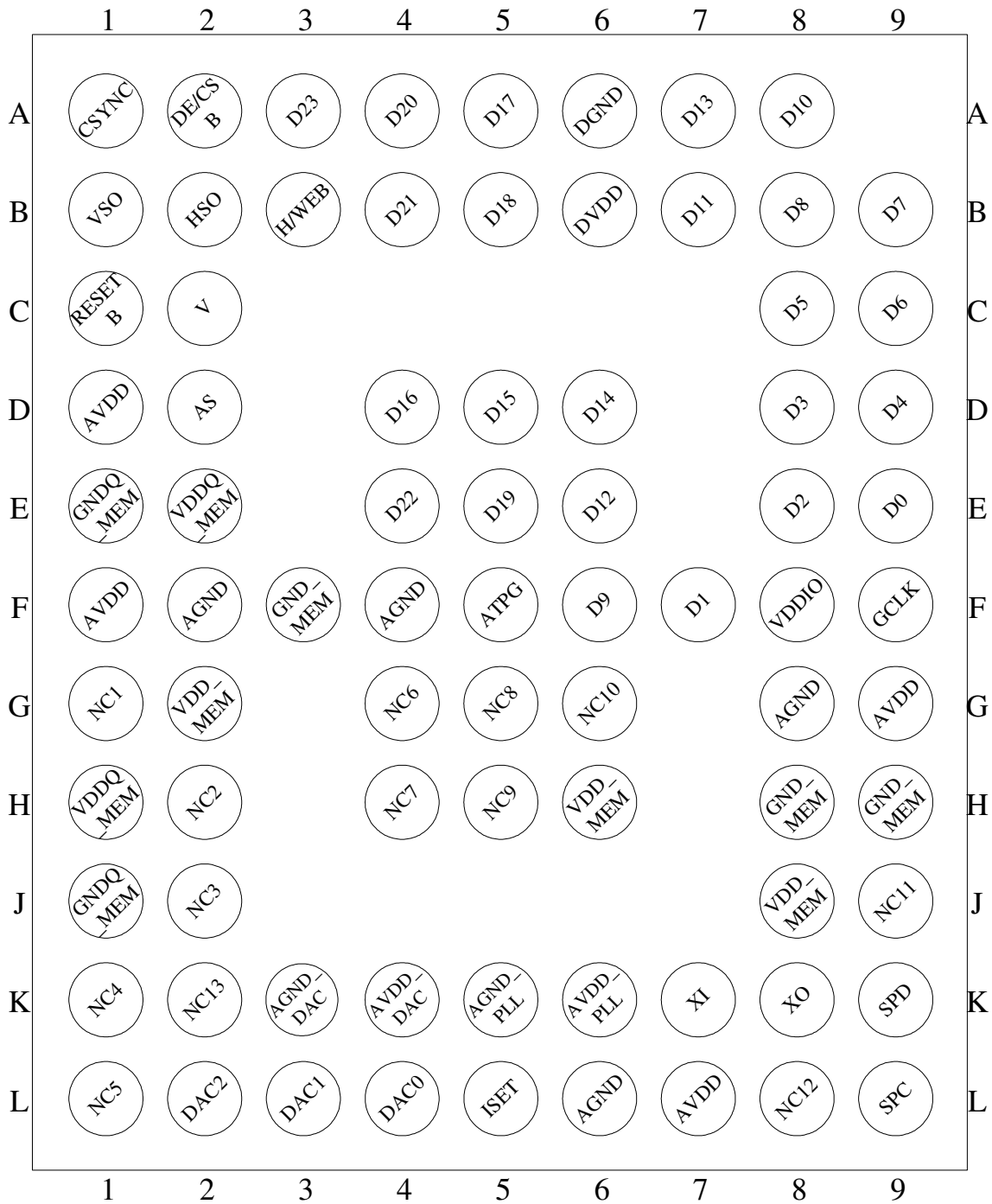


Figure 2: BGA Package (Top View)

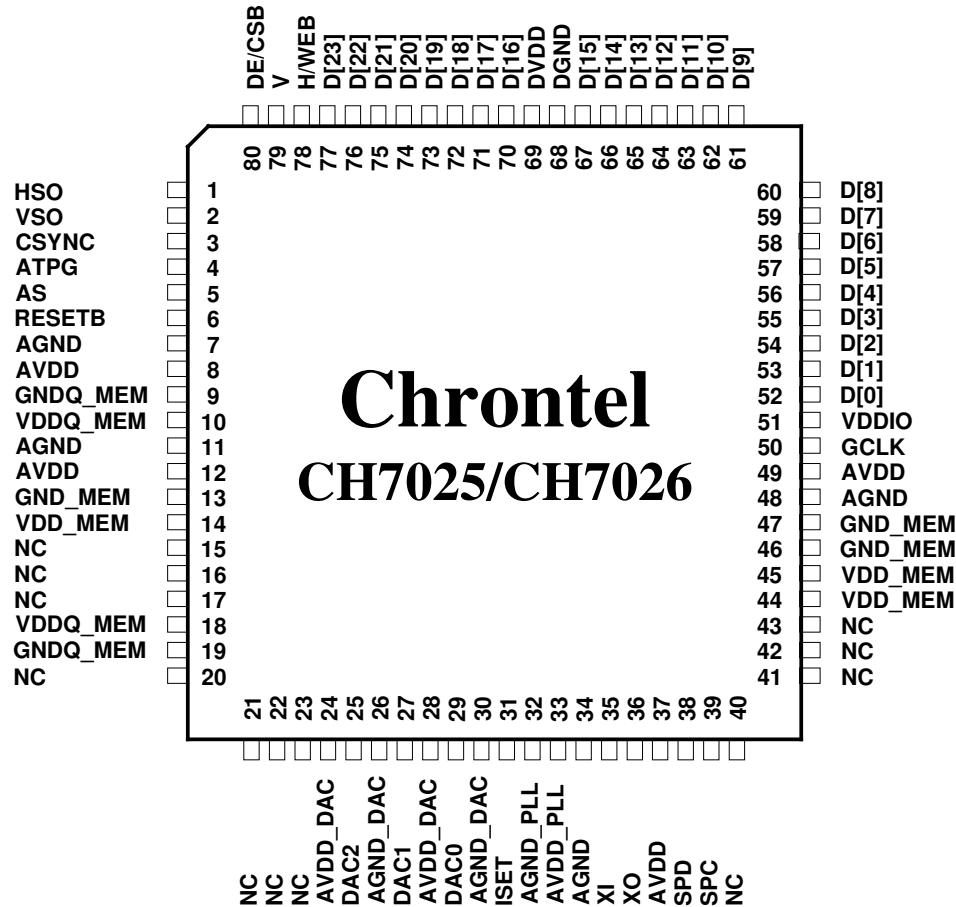


Figure 3: 80 Pin LQFP Package

1.2 Pin Description

Table 1: Pin Name Description (BGA Package)

Pin #	Type	Symbol	Description
A3, E4, B4, A4, E5, B5, A5, D4, D5, D6, A7, E6, B7, A8, F6, B8, B9, C9, C8, D9, D8, E8, F7, E9	In	D[23:0] ^[1]	Data[0] through Data[23] Inputs These pins accept the 24 data inputs from a digital video port of a graphics controller. The swing is defined by VDDIO.
C2	In/Out	V	Vertical Sync Input / Output When the SYO control bit is low, this pin accepts a vertical sync input for use with the input data. When the SYO control bit is high, the device will output a vertical sync pulse. The output is driven from the VDDIO supply.
B3	In/Out	H/WEB	Horizontal Sync Input / Output When the SYO control bit is low, this pin accepts a horizontal sync input for use with the input data. When the SYO control bit is high, the device will output a horizontal sync pulse. The output is driven from the VDDIO supply. It is also the WEB signal of CPU/MEMORY interface.

A2	In	DE/CSB	Data Input Indicator When the pin is high, the input data is active. When the pin is low, the input data is blanking. It is also the CSB signal of CPU/MEMORY interface.																
D2	In	AS	Serial Port Device Address Select (7-bit address + R/W bit) 0: 76h 1: 75h <table border="1" style="margin-left: 20px;"> <tr> <td>B7</td> <td>B6</td> <td>B5</td> <td>B4</td> <td>B3</td> <td>B2</td> <td>B1</td> <td>B0</td> </tr> <tr> <td>1</td> <td>1</td> <td>1</td> <td>0</td> <td>1</td> <td>AS*</td> <td>AS</td> <td>R/W</td> </tr> </table>	B7	B6	B5	B4	B3	B2	B1	B0	1	1	1	0	1	AS*	AS	R/W
B7	B6	B5	B4	B3	B2	B1	B0												
1	1	1	0	1	AS*	AS	R/W												
F5	In	ATPG	ATPG Enable (Internally pull-low) This pin should be left open or pulled low with a 10 kΩ resistor in the application. This pin configures the pre-condition for scan chain and boundary scan test when high. Otherwise it should be pulled low. Voltage level is 0 to 3.3V.																
C1	In	RESETB	Active low reset. When RESETB is low, the device is held in the hardware reset condition. When RESETB is high, reset is controlled through the serial port.																
K9	In/Out	SPD	Serial Port Data Input / Output (open drain) This pin functions as the bi-directional data pin of the serial port. External pull-up resistor is required.																
L9	In	SPC	Serial Port Clock Input (open drain) This pin functions as the clock pin of the serial port. External pull-up resistor is required.																
L4	Out	DAC0	CVBS, S-video, YPbPr or Analog RGB output Full swing is up to 1.3 V.																
L3	Out	DAC1	CVBS, S-video, YPbPr or Analog RGB output Full swing is up to 1.3 V.																
L2	Out	DAC2	CVBS, S-video, YPbPr or Analog RGB output Full swing is up to 1.3 V.																
L5	In	ISET	Current Set This pin sets the DAC current. A 1.2 kΩ, 1% tolerance resistor should be connected between this pin and AGND_DAC using short and wide trace.																
K7	In	XI	Crystal Input / External Input For some situation of the slave mode, a parallel resonance crystal (± 20 ppm) should be attached between this pin and XO. However, an external 3.3V CMOS compatible clock can drive the XI input.																
K8	Out	XO	Crystal Output For some situation of the slave mode, a parallel resonance crystal (± 20 ppm) should be attached between this pin and XI. However, if an external CMOS clock is attached to XI, XO should be left open.																
F9	In	GCLK	Graphics Controller Clock Input																
B1	Out	VSO	Vertical sync signal output																
B2	Out	HSO	Horizontal sync signal output																
A1	Out	CSYNC	Composite sync output																
F8	Power	VDDIO	IO supply voltage (1.2-3.3V)																
B6	Power	DVDD	Digital supply voltage (1.8V)																
D1, F1, L7, G9	Power	AVDD	Analog supply voltage (2.5 – 3.3V)																
K6	Power	AVDD_PLL	PLL supply voltage (1.8V)																
K4	Power	AVDD_DAC	DAC power supply (2.5 – 3.3V)																
E2, H1	Power	VDDQ_MEM	SDRAM output buffer supply voltage (2.5V)																
G2, J8, H6	Power	VDD_MEM	SDRAM device supply voltage (2.5V)																

A6	Power	DGND	Digital supply ground
F4, F2, L6, G8	Power	AGND	Analog supply ground
K5	Power	AGND_PLL	PLL supply ground
K3	Power	AGND_DAC	DAC supply ground
E1, J1	Power	GNDQ_MEM	SDRAM output buffer supply ground
F3, H9, H8	Power	GND_MEM	SDRAM device supply ground

Notes:

1. All the unused Data input pins should be pulled low with 10 kΩ resistors or shorted to Ground directly.

Table 2: Pin Name Descriptions (LQFP80 Package)

Pin #	Type	Symbol	Description																
52 - 67 70 - 77	In	D[23:0] ^[1]	Data[0] through Data[23] Inputs These pins accept the 24 data inputs from a digital video port of a graphics controller. The swing is defined by VDDIO.																
79	In/Out	V	Vertical Sync Input / Output When the SYO control bit is low, this pin accepts a vertical sync input for use with the input data. When the SYO control bit is high, the device will output a vertical sync pulse. The output is driven from the VDDIO supply.																
78	In/Out	H/WEB	Horizontal Sync Input / Output When the SYO control bit is low, this pin accepts a horizontal sync input for use with the input data. When the SYO control bit is high, the device will output a horizontal sync pulse. The output is driven from the VDDIO supply. It is also the WEB signal of CPU/MEMORY interface.																
80	In	DE/CSB	Data Input Indicator When the pin is high, the input data is active. When the pin is low, the input data is blanking. CSB signal input of CPU/MEMORY interface.																
5	In	AS	Serial Port Device Address Select (7-bit address + R/W bit) 0: 76h 1: 75h <table border="1" style="margin-left: auto; margin-right: auto;"> <tr> <td>B7</td> <td>B6</td> <td>B5</td> <td>B4</td> <td>B3</td> <td>B2</td> <td>B1</td> <td>B0</td> </tr> <tr> <td>1</td> <td>1</td> <td>1</td> <td>0</td> <td>1</td> <td>AS*</td> <td>AS</td> <td>R/W</td> </tr> </table>	B7	B6	B5	B4	B3	B2	B1	B0	1	1	1	0	1	AS*	AS	R/W
B7	B6	B5	B4	B3	B2	B1	B0												
1	1	1	0	1	AS*	AS	R/W												
4	In	ATPG	ATPG Enable (Internally pull-low) This pin should be left open or pulled low with a 10 kΩ resistor in the application. This pin configures the pre-condition for scan chain and boundary scan test when high. Otherwise it should be pulled low. Voltage level is 0 to 3.3V.																
6	In	RESETB	Reset * Input When this pin is low, the device is held in the power-on reset condition. When this pin is high, reset is controlled through the serial port.																
38	In/Out	SPD	Serial Port Data Input / Output (open drain) This pin functions as the bi-directional data pin of the serial port. External pull-up resistor is required.																
39	In	SPC	Serial Port Clock Input (open drain) This pin functions as the clock pin of the serial port. External pull-up resistor is required.																
29	Out	DAC0	CVBS, S-video, YPbPr or Analog RGB output Full swing is up to 1.3 V																
27	Out	DAC1	CVBS, S-video, YPbPr or Analog RGB output Full swing is up to 1.3 V																
25	Out	DAC2	CVBS, S-video, YPbPr or Analog RGB output Full swing is up to 1.3 V																

31	In	ISET	Current Set This pin sets the DAC current. A 1.2 kΩ, 1% tolerance resistor should be connected between this pin and AGND_DAC using short and wide trace.
35	In	XI	Crystal Input / External Input For some situation of the slave mode, a parallel resonance crystal (± 20 ppm) should be attached between this pin and XO. However, an external 3.3V CMOS compatible clock can drive the XI input.
36	Out	XO	Crystal Output For some situation of the slave mode, a parallel resonance crystal (± 20 ppm) should be attached between this pin and XI. However, if an external CMOS clock is attached to XI, XO should be left open.
50	In	GCLK	Graphics Controller Clock Input
2	Out	VSO	Vertical sync signal output, The amplitude of this pin is from 0 to AVDD
1	Out	HSO	Horizontal sync signal output, The amplitude of this pin is from 0 to AVDD
3	Out	CSYNC	Composite sync output, The amplitude of this pin is from 0 to AVDD
51	Power	VDDIO	IO supply voltage (1.2-3.3V)
69	Power	DVDD	Digital supply voltage (1.8V)
8, 12 37, 49	Power	AVDD	Analog supply voltage (2.5 – 3.3V)
33	Power	AVDD_PLL	PLL supply voltage (1.8V)
24, 28	Power	AVDD_DAC	DAC power supply (2.5 – 3.3V)
10, 18	Power	VDDQ_MEM	SDRAM output buffer supply voltage (2.5V)
14, 44 45	Power	VDD_MEM	SDRAM device supply voltage (2.5V)
68	Power	DGND	Digital supply ground
7, 11, 34 48	Power	AGND	Analog supply ground
32	Power	AGND_PLL	PLL supply ground
26, 30	Power	AGND_DAC	DAC supply ground
9, 19	Power	GNDQ_MEM	SDRAM output buffer supply ground
13,46, 47	Power	GND_MEM	SDRAM device supply ground

Notes:

1. All the unused Data input pins should be pulled low with 10 kΩ resistors or shorted to Ground directly.

2.0 FUNCTIONAL DESCRIPTION

2.1 Input Interface

2.1.1 Overview

Five distinct methods of transferring data to the CH7025/CH7026 are described below.

1. Unitary data, clock input at 1X the pixel rate (SDR mode)
2. Multiplexed data, clock input at 1X of pixel rate (DDR mode)
3. Multiplexed data, clock input at 2X of pixel rate
4. Multiplexed data, clock input at 3X of pixel rate
5. 8/16/24 bit CPU/MEMORY interface

For the multiplexed data, clock at 1X pixel rate, the data applied to the CH7025/CH7026 is latched with both edges of the clock (also referred to as dual edge transfer mode or DDR). For the multiplexed data, clock at 2X or 3X pixel rate the data applied to the CH7025/CH7026 is latched with one edge of the clock (also known as single edge transfer mode or SDR). For the unitary data, clock at 1X pixel rate, the data applied to the CH7025/CH7026 is latched with one edge of the clock. The polarity of the pixel clock can be reversed through serial port control. Hsync and Vsync can be input individually or embedded into data signal such as BT656 input format.

2.1.2 Input Clock and Data Timing Diagram

Figure 4 to Figure 8 below shows the timing diagram for input data and clocks. The timing requirements are given in later section.

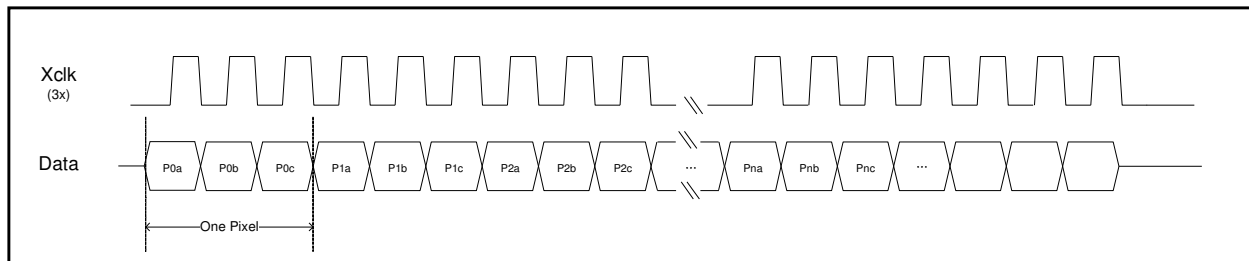


Figure 4: Clock and Data Input Timing in 3x Multiplexed Mode

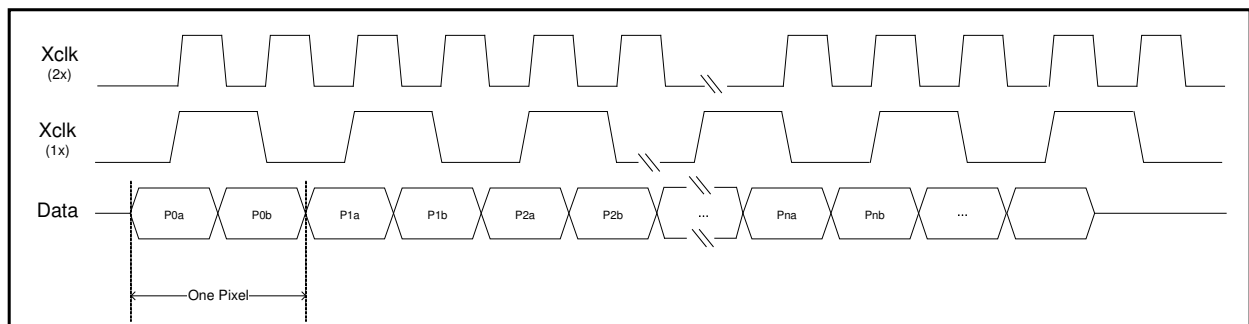


Figure 5: SDR and DDR Input Data Formats

(Note: In Figure 5, the first XCLK waveform represents the input clock for single edge transfer (SDR) methods. The second XCLK waveform represents the input clock for the dual edge transfer (DDR) method.)

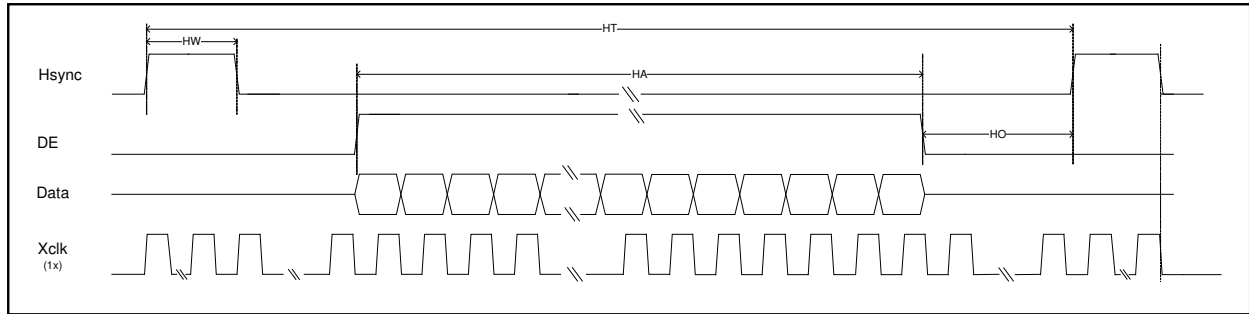


Figure 6: Horizontal Input Timing

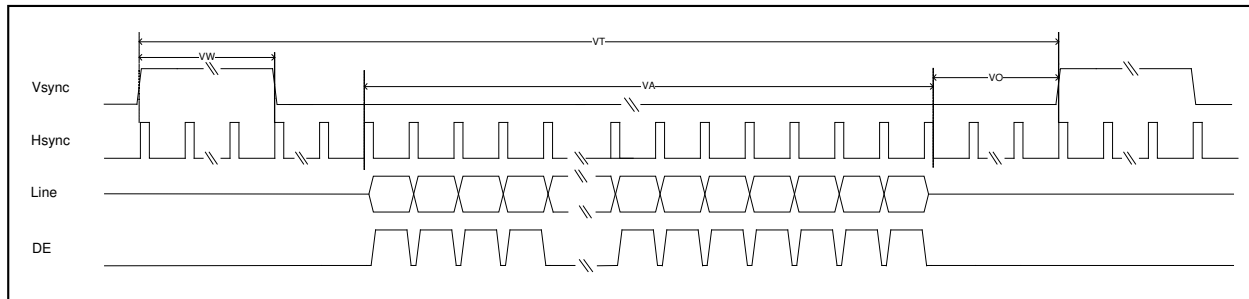


Figure 7: Vertical Input Timing

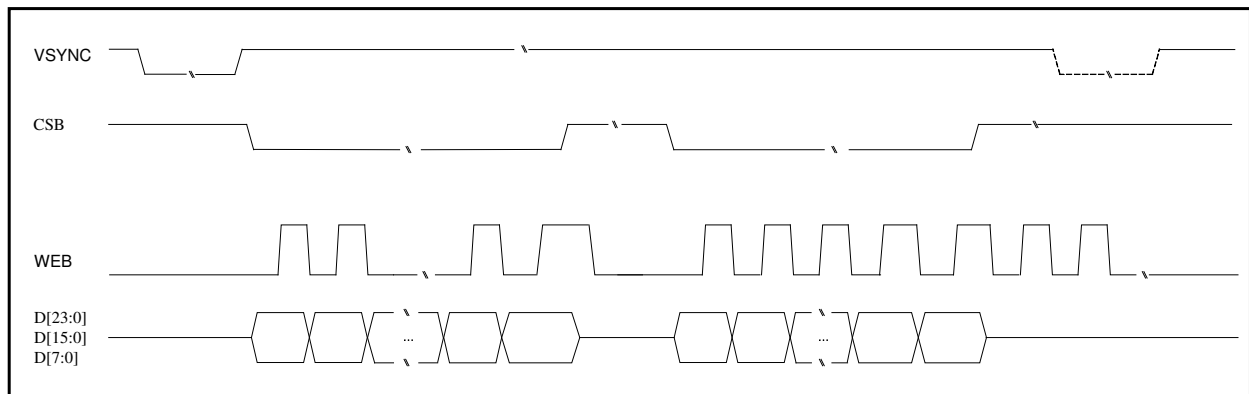


Figure 8: CPU/MEMORY Interface Timing

(Note: VSYNC pulse of CPU/MEMORY interface is not necessary for each input frame, it is required to appear at least one time at any input frame blank period.)

2.1.3 Input Data Voltage

The voltage level of input pins D[23:0], H/WEB, V, DE/CSB are from 0 to VDDIO. These pins support two input mode, one is CMOS mode, the other is pseudo differential mode. The default is CMOS mode with CMOS level on these pins. When control bit **DIFFEN** is high, the input is pseudo differential mode that uses a reference voltage (VREF) to compare with input voltage and decide input logic value. The VREF value can be 80%, 70%, 60% and 50% of VDDIO value, referring to **VRTM[1:0]**. The pseudo differential mode can accept the wide range of the input voltage level from 1.2v to 3.3v, while the CMOS mode can accept 1.8v to 3.3v input voltage.

2.1.4 Input Data Format

The following table indicates the supported input data format by CH7025/CH7026.

Table 3: Input Data Format

MULTI	IDF	D[23:16]	D[15:8]	D[7:0]	
0	0	R[7:0]	G[7:0]	B[7:0]	
	1	2'b00,R[5:0]	2'b00,G[5:0]	2'b00,B[5:0]	
	2	3'b000,R[4:0]	2'b00,G[5:0]	3'b000,B[4:0]	
	3	3'b000,R[4:0]	3'b000,G[4:0]	3'b000,B[4:0]	
	4	R[7:3],G[7:5]	R[2:0],G[1],G[4:2], B[7]	B[6:3],G[0],B[2:0]	
	5	8'h00	Y[7:0]	C[7:0]	
	6	4'h0, Y[9:6]	Y[5:0],C[9:8]	C[7:0]	
	7	Y[7:0]	Cb[7:0]	Cr[7:0]	
	8	Reserved	Reserved	Reserved	
	9	6'h00, R[5:4]	R[3:0],G[5:2]	G[1:0],B[5:0]	
	10	8'h00	R[4:0],G[5:3]	G[2:0],B[4:0]	
	11	8'h00	1'b0, R[4:0],G[4:3]	G[2:0],B[4:0]	
1	PA	0		4'h0, R[7:4]	R[3:0],G[7:4]
			PB		4'h0, G[3:0]
	PA	1			7'h00, R[5]
			PB		7'h00, G[2]
	PA	2			
			PB		
	PA	3			
			PB		
	PA	4			4'h0, R[7:4]
			PB		4'h0, G[4:2], B [7]
	PA	5			
			PB		
	PA	6			6'h00, Y[9:8]
			PB		6'h00, C[9:8]
	PA	7			4'h0, Y[7:4]
			PB		4'h0, Cb[3:0]
	2	PA		0	
		PB			G[7:0]
PC			B[7:0]		
PA		7		Y[7:0]	
PB				Cb[7:0]	
PC				Cr[7:0]	

(PA,PB,PC represent the parts of one pixel data)

IDF[3:0] describes the major input data format that CH7025/CH7026 accepts. They are:

- IDF = 0: 888 RGB(standard order) input
- IDF = 1: 666 RGB input
- IDF = 2: 565 RGB input
- IDF = 3: 555 RGB input
- IDF = 4: 888 RGB(special order) input

- IDF = 5: 8-bit YCbCr4:2:2 input
- IDF = 6: 10-bit YCbCr4:2:2 input
- IDF = 7: 8-bit YCbCr4:4:4 input
- IDF = 8: Reserved
- IDF = 9: Consecutive aligned 666 RGB input
- IDF = 10: Consecutive aligned 565 RGB input
- IDF = 11: Consecutive aligned 555 RGB input

Table 3 above describes the 24-bit input data format under unitary mode. For multiplexed input, input data need to be de-multiplexed to unitary input first then this table can be applied. The Pixel Data bus represents a 12-bit or 8-bit multiplexed data stream, which contains either RGB or YCbCr formatted data. The input data rate is 2X the pixel rate, and each pair of Pn values (e.g.; PA and PB) contains a complete pixel (3X input has the similar feature).

When the input is a YCbCr data stream the color-difference data will be transmitted at half the data rate of the luminance data, with the sequence being set as Cb, Y, Cr, Y, where Cb0,Y0,Cr0 refers to co-sited luminance and color-difference samples and the following Y1 byte refers to the next luminance sample, per ITU-R BT.656 standards (the clock frequency is dependent upon the current mode, and is not 27MHz as specified in ITU-R BT.656). In YCbCr 4:2:2 with embedded sync mode, the hardware can detect the connection error and correct it automatically.

2.2 Chip Output

2.2.1 TV Output

The CH7025/CH7026 supports the following output formats:

Table 4: Supported SDTV Standards

No.	Standards	Field Rate (Hz)	Total	Scan Type
0	NTSC-M	60/1.001	858x525	Interlaced
1	NTSC-J	60/1.001	858x525	Interlaced
2	NTSC-443	60/1.001	858x525	Interlaced
3	PAL-B/D/G/H/I	50	864x625	Interlaced
4	PAL-M	60/1.001	858x525	Interlaced
5	PAL_N	50	864x625	Interlaced
6	PAL-Nc	50	864x625	Interlaced
7	PAL_60	60/1.001	858x525	Interlaced

Table 5: Supported EDTV/HDTV Standards

Standards	Field/Frame Rate (Hz)	Total	Active	Clock (MHz)	Scan Type
480/60p SMPTE293M EIA770.2A	60/1.001	858x525 or 1716x525	720x480	27 or 54	Progressive
576/50p ITU-R BT1358	50	864x625 or 1728x625	720x576	27 or 54	Progressive
720/60p SMPTE296M	60 or 60/1.001	1650x750	1280x720	74.25 or 74.176	Progressive
720/50p SMPTE296M	50	1980x750	1280x720	74.25	Progressive
1080/60i SMPTE274M	60 or 60/1.001	2200x1125	1920x1080	74.25 or 74.176	Interlaced
1080/50i SMPTE274M	50	2640x1125	1920x1080	74.25	Interlaced
1080/50i SMPTE295M	50	2376x1250	1920x1080	74.25	Interlaced

CVBS, S-video, YPbPr and analog RGB output are supported, when output analog RGB, composite sync output is available.

2.2.2 VGA Output

CH7025/CH7026 also supports analog RGB output through video DACs. Typically used resolution are 800x600, 856x480, 800x480 or 640x480. Vertical sync and horizontal sync signal are provided. Composite sync output is also supported. The type of composite sync can be programmed through register map.

Table 6: Composite Sync Type

CSSEL[2:0]	Composite sync type
0	Vsync XOR Hsync
1	Vsync OR Hsync
2	Vsync AND Hsync

2.2.3 Video DAC Output

The DAC output is configured by the register bits **VFMT[2:0]**. **DACS[1:0]** bits are used to control the multiple output format i.e. dual or triple CVBS output, dual CVBS and S-Video output and etc. **DACSP[2:0]** bits are to swap the DAC output sequence such as CVBS, S-Video or S-Video, CVBS. Detailed information of these bits are described in register bits description section of this document. **Table 7** below lists the DAC output configurations of the CH7025/CH7026:

Table 7: Video DAC Configurations for CH7025/CH7026

DAC0	DAC1	DAC2
CVBS	Y	C
CVBS	CVBS	0
CVBS	CVBS	CVBS
Y(R)	Pb(G)	Pr(B)

2.2.4 DAC Single/Double Termination

The DAC output of CH7025/CH7026 can be single terminated or double terminated. Using single termination will save power consumption while double termination is likely to minimize the reflection from the cable. Refer to the description of register bit **SEL_R**.

2.2.5 Video DAC Connection Detect

CH7025/CH7026 can detect the Video DAC connection by setting register **SPPSNS**. It can detect which DAC is connected, short to ground or not connected.

2.2.6 Picture Enhancement

The CH7025/CH7026 has the capability of vertical and horizontal output picture position adjustment. It can automatically put the picture in the display center, and the vertical or horizontal position is also programmable through user input. And also it can provide brightness, contrast, hue, saturation adjustment and text enhancement functions. (For analog RGB output, only brightness and contrast adjustment are available).

CH7025/CH7026 also supports vertical or horizontal flip and rotation (0, 90, 180 and 270 degree) functions.

2.2.7 Color Sub-carrier Generation

CH7025/CH7026 has two ways to generate the color sub-carrier frequency. If the **GCLK** from the graphics controller has a steady center frequency and very small jitter, the sub-carrier can be derived from the **GCLK**. However, since even a $\pm 0.01\%$ sub-carrier frequency variation is enough to cause some TV to lose color lock, CH7025/CH7026 has the ability to generate the sub-carrier frequency from the crystal when the **GCLK** from the graphics device cannot meet the requirement. In this case, the crystal has to be present.

In addition, CH7025/CH7026 has the capability to gen-lock the color sub-carrier with Vsync. Also, it has the ability to operate in a “stop dot crawl” mode for NTSC CVBS output when the first sub-carrier generation method is used.

2.2.8 ITU-R BT.470 Compliance

The SDTV output of CH7025/CH7026 is mostly compliant with ITU-R BT.470 standard except for the items below.

- The frequencies of horizontal sync, vertical sync, and color sub-carrier depend on the quality of **GCLK** from graphics controller and/or the off-chip crystal.
- It is assumed that gamma correction, if required, is performed in the graphics device.
- Pulse widths and rise/fall times for sync pulses, front/back porches, and equalizing pulses are designed to approximate ITU-R BT.470 requirements. However, they may have a small variation depending on the actual input and output format.
- The actual bandwidths of the luminance and chrominance signals depend on the input resolution and the filter selection.

2.3 Testing Functions and Power Down Mode

2.3.1 Test Pattern Select

Setting TSTP[3:0] of 04h on the second page of register map can select different video patterns that go through datapath, according to the following table. TEST (bit5 of 04h on the second page) has to be 1 to enable test mode. TSYNC is to select which sync will be used internally generated sync or external input sync.

Table 8: Test Pattern Selection

TSTP[3:0]	Test pattern
0	Black
1	White
2	Vertical ramp
3	Horizontal ramp
4	Color bar
5	One pixel wide color bar
6	Zigzag

2.3.2 SDRAM Power Down

SDRAM has two kinds of power down modes. One is power down mode, the other is deep power down mode. For power down mode, all data contents will be held in the bank. For deep power down mode, a command is required to issued. There is a bit called MEMPD in register map. It can be used to enable the deep power mode. During deep power mode, all the data in memory banks will be lost, and the SDRAM leakage current is less than 1 μ A. **A very important thing required to be noted here is that not all the SDRAM parts support either power down or deep power down mode.** In these cases, even CH7025/CH7026 enters into power down, the leakage current is still large (>100 μ A). In deep power down mode, the current consumption of SDRAM is less than 10 μ A. (This leakage current is primarily derived from the SDRAM die.)

2.4 Serial Port

2.4.1 Introduction

The Chronitel CH7025/CH7026 contains a serial port interface, through which the control registers can be written to and read from. The serial interface consists of SPD (bidirectional serial port data) and SPC (serial port clock).

The serial port clock line (SPC) is input only and is driven by the output buffer of the graphics controller device, which is the clock master in the system. The serial port data line (SPD) is either input to or output from the encoder depending on the write or read status. The data on the line can be transferred up to 400 kbits/s. **Figure 9** shows the connection of the serial port interface.

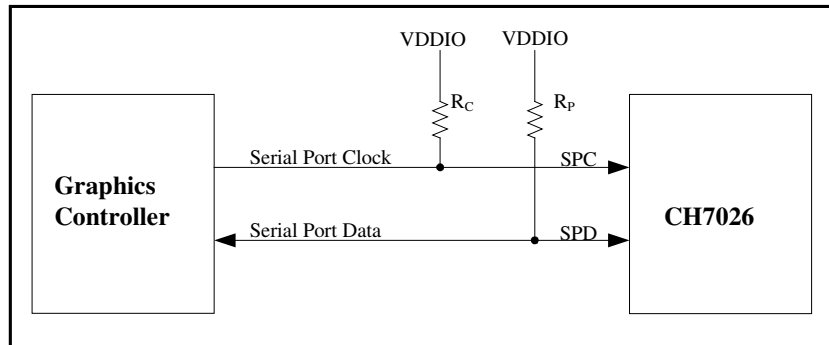


Figure 9: The Connection of the Serial Port Interface

2.4.2 Electrical Characteristics of the Serial Port

The connections of the serial port interface is shown in **Figure 9**. A pull-up resistor (R_p) must be connected to the same voltage supply seen by the serial port interface pins. The serial port input voltage level is determined by VDDIO. A weak pull-up resistor (R_c) may be added to the clock line to ensure that it is pulled high when the line is free.

Maximum and minimum values of pull-up resistor (R_p)

The value of R_p depends on the following parameters:

- Supply voltage
- Line capacitance
- Number of devices connected (input current + leakage current = I_{input})

The supply voltage limits the minimum value of resistor R_p due to the specified minimum sink current of 2mA at $VOL_{max} = 0.4 V$ for the output stages:

$$R_p \geq (VDD - 0.4) / 2 \quad (\text{where: } R_p \text{ is in } k\Omega)$$

The line capacitance is the total capacitance of wire, connections and pins. This capacitance limits the maximum value of R_p due to the specified rise time. The equation for R_p is shown below:

$$R_p \leq 10^3 / C \quad (\text{where: } R_p \text{ is in } k\Omega \text{ and } C, \text{ the total capacitance, is in } pF)$$

The maximum HIGH level input current of each input/output connection has a specified maximum value of 10 μA . Due to the desired noise margin of $0.2V_{DD}$ for the HIGH level, the input current limits the maximum value of R_p . The R_p limit depends on V_{DD} and is shown below:

$$R_p \leq (100 \times VDD) / I_{input} \quad (\text{where: } R_p \text{ is in } k\Omega \text{ and } I_{input} \text{ is in } \mu A)$$

2.4.3 Transfer Protocol

Both read and write cycles can be executed in “Single-step”, or “Auto-increment”. Auto-increment read/write allows you to establish the initial register location, then automatically increments the register address after each subsequent data access so that the next register address does not need to be resent through the SPC/SPD serial interface lines. When Auto-increment is set, the initial address is first sent to the encoder then data1 is sent, then data2, then data3, and so forth. Single-step read/write, is a simplified version of the Auto-increment read/write with a single set of data

instead of multiple data that is sent to or received from a specific register. The description of the transfer protocol is as follows:

The transfer sequence is initiated when a high-to-low transition of SPD occurs while SPC is high; this is the “START” condition. Transitions of address and data bits can only occur while SPC is low.

The transfer sequence is terminated when a low-to-high transition of SPD occurs while SPC is high; this is the “STOP” condition.

Upon receiving the first START condition, the Chrontel encoder expects a Device Address Byte (DAB) from the master device. The DAB data format is shown below. Bits B[7:1] of the DAB is referred to as the serial port address. When the AS pin of the CH7025/CH7026 is pulled low, the Device Address Byte becomes ECh for serial port write and EDh for serial port read. When the AS pin of the CH7025/CH7026 is pulled high, the Device Address Byte becomes EAh for serial port write and EBh for serial port reads.

After the DAB is received, the Chrontel encoder expects a Register Address Byte (RAB) from the master. The data format of the RAB is shown below.

CH7025/CH7026 Device Address Byte (DAB)

Bit7	Bit6	Bit5	Bit4	Bit3	Bit2	Bit1	Bit0
1	1	1	0	1	AS*	AS	R/W*

AS Address Select

For the CH7025/CH7026, the value of this bit is determined by the status of the AS pin. When the pin is strapped low, the value of AS = 0. When the pin is strapped high, the value of AS = 1.

R/W Read/Write Indicator

- “0”: The master device will write to the encoder at the register location specified by the address AR[7:0]
- “1”: The master device will read from the encoder at the register location specified by the address AR[7:0].

CH7025/CH7026 Register Address Byte (RAB)

Bit7	Bit6	Bit5	Bit4	Bit3	Bit2	Bit1	Bit0
AR[7]	AR[6]	AR[5]	AR[4]	AR[3]	AR[2]	AR[1]	AR[0]

AR[7:0] is the register address byte that specifies the address of the register to be accessed. The value of AR[7:0] will be loaded into the Address Register of the Chrontel encoder. The R/W access, which follows, will be directed to the register specified by Address Register.

2.4.4 Chrontel Encoder Write Cycle Protocol (R/W* = 0)

An acknowledge is required for all data transfers. The acknowledge-related clock pulse is generated by the master-transmitter. The master-transmitter releases the SPD line (HIGH) during the acknowledge clock pulse. The slave-receiver must pull down the SPD line, during the acknowledge clock pulse, so that it remains LOW during the HIGH period of the clock pulse. Note that the resultant state of SPD is the wired-AND of data outputs from the transmitter and receiver. **Figure 10** shows the acknowledge protocol.

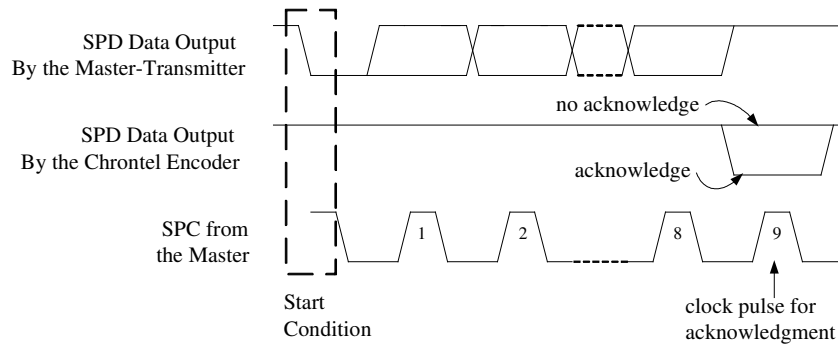
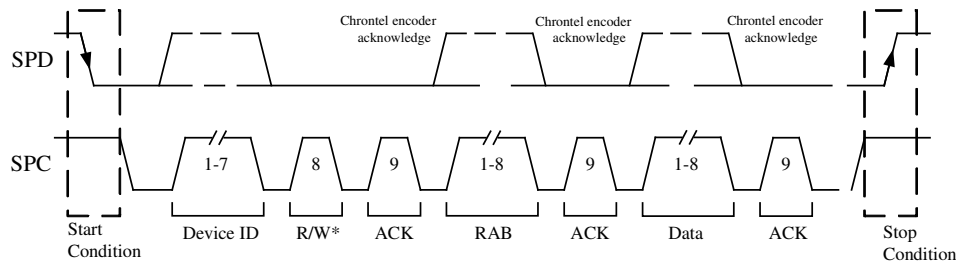


Figure 10: Acknowledge Protocol

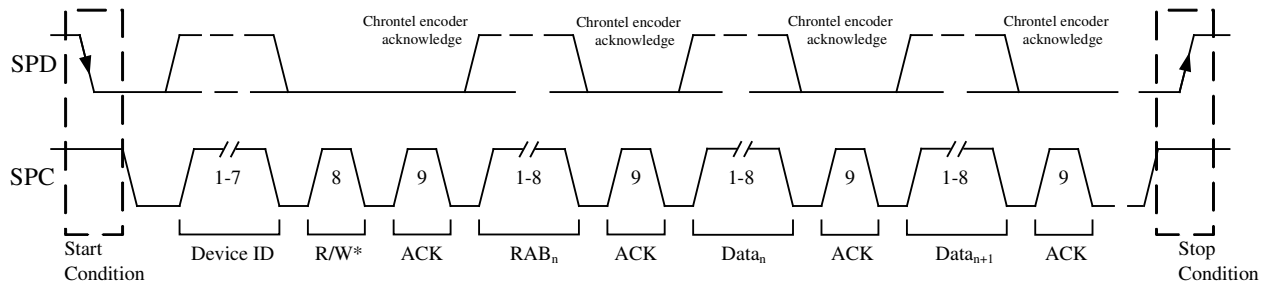
Figure 11 represents two consecutive Single step write cycles. The byte of information, following the Register Address Byte (RAB), is the data to be written into the register specified by AR[7:0]. The serial interface bus will then enter the “Stop Condition” immediately after the acknowledge has been received. The cycle is then repeated for each subsequent write cycle.



Note: The acknowledge is from the Chrontel encoder (slave).

Figure 11: Single-step Write Cycles (2 cycles)

An Auto-increment write cycle is shown in Figure 12. During the Auto-increment write, the register address pointer continues to increment for each data write cycle until AR[7:0] = the last accessible Address Register of the encoder. The next byte of information represents a new auto-sequencing “Starting address”, which is the address of the register to receive the next byte. The auto-sequencing then resumes based on this new “Starting address”. The Auto-increment sequence can be terminated at any time by either a “STOP” or “RESTART” condition. The write operation can be terminated with a “STOP” condition.



Note: The acknowledge is from the Chrontel encoder (slave).

Figure 12: Auto-Increment Write Cycle

2.4.5 Chrontel Encoder Read Cycle Protocol (R/W* = 1)

The master-receiver must signal the end of data to the slave-transmitter by not generating an acknowledge on the last byte that was clocked out of the slave. The slave-transmitter encoder will then release the data line to allow the master to generate either the STOP condition or the RESTART condition.

To read the content of the registers, the master device must first issue a “START” condition (or a “RESTART” condition). After the START condition, the first byte of data will be the DAB with R/W = 0. The second byte is the

RAB with AR[7:0] containing the address of the register that the master device intends to read from. The master device must then issue a “RESTART” condition (“RESTART” = “START”, without a previous “STOP” condition). The first byte of data, after the RESTART condition, is another DAB with R/W=1, indicating the master’s intention to read data hereafter. The master then reads the next byte of data (the content of the register specified in the RAB). For Single-step read, a “Stop” condition or “Restart” condition is sent out immediately after the acknowledge which indicates that the data has been read (see **Figure 13**).

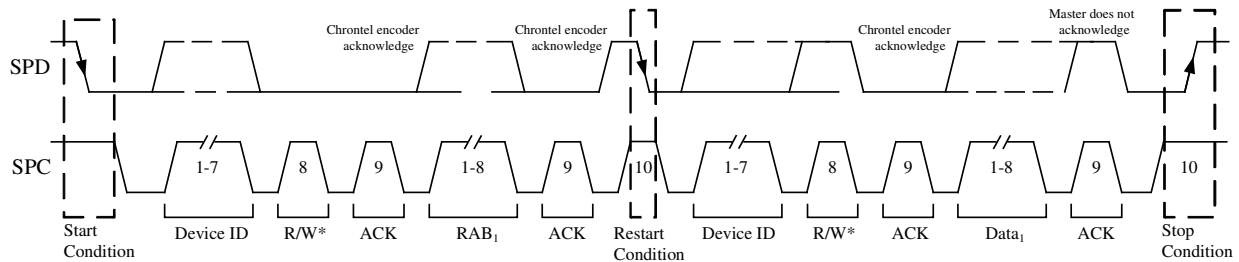


Figure 13: Single-step Read Cycles (2 cycles)

For Auto-increment read cycles, the address register is incremented automatically. This allows subsequent data bytes to be read from successive registers without having to provide a second RAB.

Regarding the Auto-increment read cycle, the address register continues to increment for each read cycle. When AR[7:0] of the RAB has been incremented to the last accessible register address of the encoder, the Address Register will wrap around and start from 00h again. The auto increment sequence can be terminated by either a “STOP” or “RESTART” condition. The read operation can be terminated with a “STOP” condition. **Figure 14** shows an Auto-increment read cycle terminated by a STOP condition.

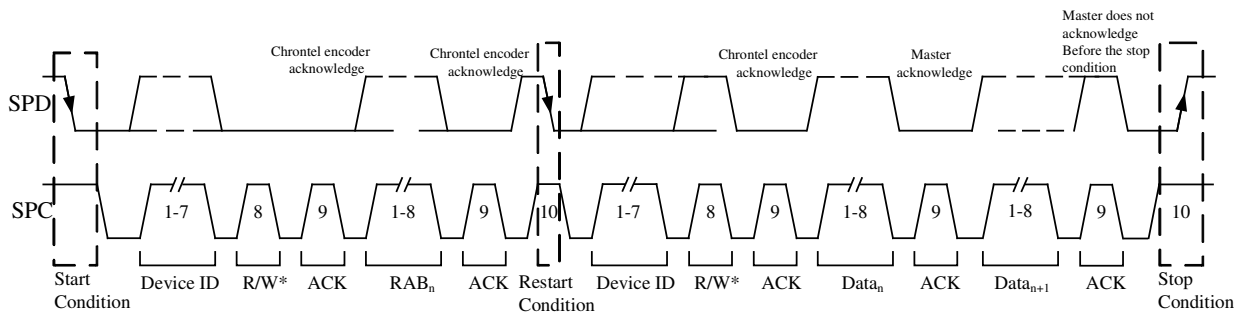


Figure 14: Auto-increment Read Cycles

3.0 ELECTRICAL SPECIFICATIONS

3.1 Absolute Maximum Ratings

Symbol	Description	Min	Typ	Max	Units
	All 1.8V power supplies relative to GND ^[1] All 3.3V power supplies relative to GND ^[2]	-0.5 -0.5		2.5 5.0	V
	Input voltage of all digital pins ^[3]	GND – 0.5		VDDIO+0.5	V
TAMB	Ambient operating temperature ^[4]	-40		85	°C
TSTOR	Storage temperature	-40		150	°C
TJ	Junction temperature			150	°C
TVPS	Vapor phase soldering (5 second) Vapor phase soldering (11 second) Vapor phase soldering (1 minute)			260 245 225	°C

Note:

1. Stresses greater than those listed under absolute maximum ratings may cause permanent damage to the device. These are stress ratings only. Functional operation of the device at these or any other conditions above those indicated under the normal operating condition of this specification is not recommended. Exposure to absolute maximum rating conditions for extended periods may affect reliability.
2. The device is fabricated using high-performance CMOS technology. It should be handled as an ESD sensitive device. Voltage on any signal pin that exceeds the power supply voltages by more than $\pm 0.5V$ can induce permanent damage.
3. The digital input voltage will follow the I/O supply voltage (VDDIO), the I/O supply voltage range is from 1.2V to 3.3V.
4. Industrial standard.

3.2 Recommended Operating Conditions

Symbol	Description	Min	Typ	Max	Units
AVDD	Crystal and I/O Power Supply Voltage	2.5	3.3	3.5	V
AVDD_DAC	DAC Power Supply Voltage	2.5	3.3	3.5	V
AVDD_PLL	PLL Power Supply Voltage	1.71	1.8	1.89	V
DVDD	Digital Power Supply Voltage	1.71	1.8	1.89	V
VDDIO	Data I/O supply voltage	1.14		3.5	V
R _{L1}	Output load to DAC Current Reference		1.2k		Ω
R _{L2}	Output load to DAC Outputs		37.5		Ω
VDDQ_MEM	Memory data interface supply	2.375	2.5	2.625	V
VDD_MEM	Memory core supply	2.375	2.5	2.625	V
VDD18	Generic for all 1.8V supplies	1.71	1.8	1.89	V
VDD33	Generic for all 3.3V supplies	2.5	3.3	3.5	V
	Ambient Operating temperature	Refer to Ordering Information			°C

3.3 Electrical Characteristics

(Operating Conditions: $T_A = -0^{\circ}\text{C} - 70^{\circ}\text{C}$, $V_{DD18}=1.8\text{V} \pm 5\%$, $V_{DD33} = 2.5\text{V} - 3.5\text{V}$)

Symbol	Description	Min	Typ	Max	Units
	Video D/A Resolution	10	10	10	bits
	Full scale output current		38		mA
	Video level error			10	%
I_{VDD18}	Total VDD18 supply current (1.8V supplies)		35		mA
I_{VDD33}	Total VDD33 supply current (3.3V supplies) ^[1]		30		mA
I_{VDDQ}	Memory data interface supply current		0.1		mA
I_{VDD_MEM}	Memory core supply current		20		mA
I_{PD}	Total Deep Power Down Current ^[2]		<20		μA

Notes:

1. Applies for one DAC and single 75 Ω termination. The current of every DAC is less than 25 mA for single termination and less than 50 mA for double termination.
2. If the chip is not in deep power down mode, the total power down current will be about 6 mA. Most of the leakage current is come from the SDRAM.

3.4 Digital Inputs / Outputs

Symbol	Description	Test Condition	Min	Typ	Max	Unit
V_{SDOL}	SPD (serial port data) Output Low Voltage	$I_{OL} = 3.0 \text{ mA}$	GND-0.5		0.4	V
V_{SPIH}	Serial Port (SPC, SPD) Input High Voltage		1.14		$V_{DD33} + 0.5$	V
V_{SPIL}	Serial Port (SPC, SPD) Input Low Voltage		GND-0.5		0.4	V
V_{HYS}	Hysteresis of Serial Port Input		0.25			V
V_{DATAIH}	Data I/O ^[1] High Voltage		$V_{DDIO}/2+0.25$		$V_{DDIO} + 0.5$	V
V_{DATAIL}	Data I/O Low Voltage		GND-0.5		$V_{DDIO}/2 - 0.25$	V
V_{MISCIH}	Miscellaneous Input High Voltage ^[2]		$V_{DD33} - 0.5$		$V_{DD33} + 0.5$	V
V_{MISCIL}	Miscellaneous Input Low Voltage ^[2]		GND-0.5		0.6	V
V_{SYNCOH}	Miscellaneous Output High Voltage ^[3]		$V_{DD33} \times 0.8$			V
V_{SYNCOL}	Miscellaneous Output Low Voltage ^[3]				0.3	V
I_{MISCPU}	Miscellaneous Input Pull Up Current ^[2]	$V_{IN} = 0$	0.5		5.0	μA
I_{MISCPD}	Miscellaneous Input Pull Down Current ^[2]	$V_{IN} = V_{DD33}$	0.1		1.1	μA

Notes:

1. Applies to D[23:0], GCLK, H, V and DE. VDDIO is the I/O supply, ranging from 1.2V to 3.3V.
2. Applies to AS, RESETB and ATPG.
3. Applies to HSO, VSO, CSYNC.

3.5 AC Specifications

Symbol	Description	Test Condition	Min	Typ	Max	Unit
f_{CRYSTAL}	Input (CRYSTAL) frequency		2.3		64	MHz
f_{GCLK}	Input (GCLK) frequency		1.5		120	MHz
DC_{GCLK}	Input (GCLK) Duty Cycle	$T_S + T_H < 1.2\text{ns}$	30		70	%
t_{GJIT}	GCLK clock jitter tolerance			10		ns
t_S	Setup Time: D[23:0], H, V and DE to GCLK	GCLK to D[23:0], H, V, DE = Vref	0.35			ns
t_H	Hold Time: D[23:0], H, V and DE to GCLK	D[23:0], H, V, DE = Vref to GCLK	0.5			ns

4.0 PACKAGE DIMENSIONS

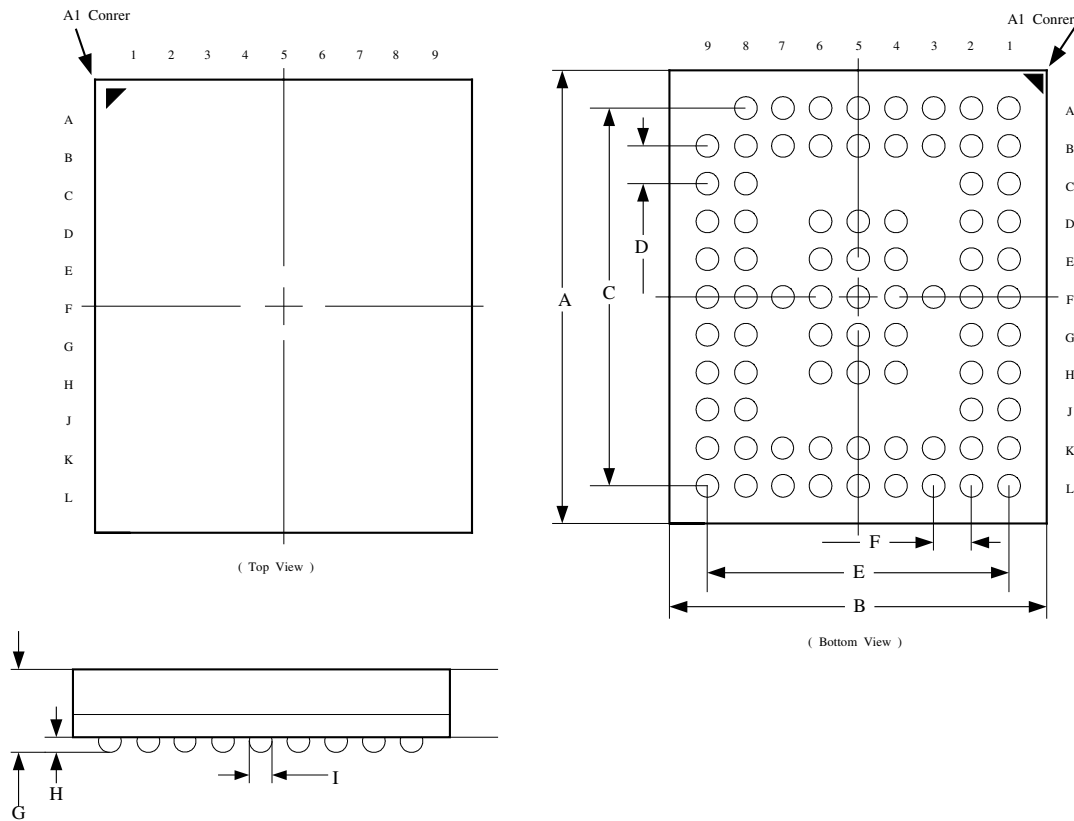


Figure 15: 80 Pin TFBGA Package

Table of Dimensions

No. of Leads		SYMBOL								
80 (5 X 6 mm)		A	B	C	D	E	F	G	H	I
Milli-meters	Min	6.00	5.00	5.00	0.50	4.00	0.50	1.04	0.17	0.26
	Max							1.20	0.27	0.36

Notes:

1. All dimensions conform to JEDEC standard MO-246.

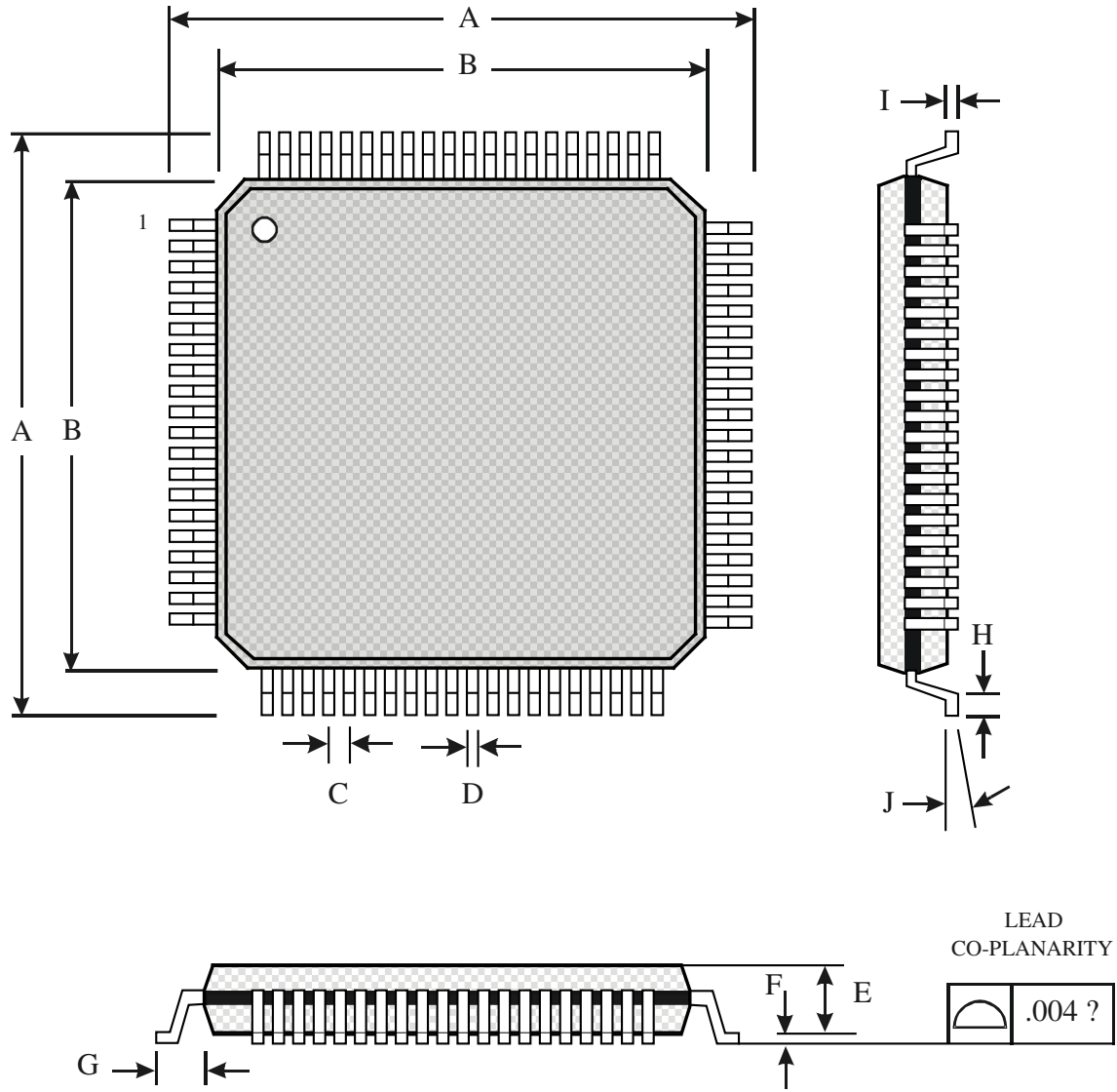


Figure 16: 80 Pin LQFP Package

Table of Dimensions

No. of Leads		SYMBOL									
80 (10 X 10 mm)		A	B	C	D	E	F	G	H	I	J
Milli-meters	MIN	11.90	9.90	0.40	0.13	1.35	0.05	1.00	0.45	0.09	0°
	MAX	12.10	10.10		0.23	1.45	0.15		0.75	0.20	7°

Notes:

1. Conforms to JEDEC standard JESD-30 MS-026D.
2. Dimension B: Top Package body size may be smaller than bottom package size by as much as 0.15 mm.
3. Dimension B does not include allowable mold protrusions up to 0.25 mm per side.

5.0 REVISION HISTORY

Rev. #	Date	Section	Description
1.0	3/5/2008	All	Official release.
1.1	05/30/2008	Section 2.1	Add some Input Timing Figures.
1.20	07/27/2009	Section 2.4	Add description of the serial port interface. Update the Package Dimension.
1.21	10/15/2009	Section 2.1.4	Change the IDF 4 description.
1.22	02/21/2010	Section 1.2	Change the AS pin description

Disclaimer

This document provides technical information for the user. Chrontel reserves the right to make changes at any time without notice to improve and supply the best possible product and is not responsible and does not assume any liability for misapplication or use outside the limits specified in this document. We provide no warranty for the use of our products and assume no liability for errors contained in this document. The customer should make sure that they have the most recent data sheet version. Customers should take appropriate action to ensure their use of the products does not infringe upon any patents. Chrontel, Inc. respects valid patent rights of third parties and does not infringe upon or assist others to infringe upon such rights.

Chrontel PRODUCTS ARE NOT AUTHORIZED FOR AND SHOULD NOT BE USED WITHIN LIFE SUPPORT SYSTEMS OR NUCLEAR FACILITY APPLICATIONS WITHOUT THE SPECIFIC WRITTEN CONSENT OF Chrontel. Life support systems are those intended to support or sustain life and whose failure to perform when used as directed can reasonably expect to result in personal injury or death.

ORDERING INFORMATION			
Part Number	Package Type	Copy Protection	Operating Temperature Range
CH7025B-GF	80TFBGA, Lead-free	Macrovision™	Commercial : -20 to 70°C
CH7025B-GFI	80TFBGA, Lead-free	Macrovision™	Industrial : -40 to 85°C
CH7025B-TF	80LQFP, Lead-free	Macrovision™	Commercial : -20 to 70°C
CH7025B-TFI	80LQFP, Lead-free	Macrovision™	Industrial : -40 to 85°C
CH7026B-GF	80TFBGA, Lead-free	None	Commercial : -20 to 70°C
CH7026B-GFI	80TFBGA, Lead-free	None	Industrial : -40 to 85°C
CH7026B-TF	80LQFP, Lead-free	None	Commercial : -20 to 70°C
CH7026B-TFI	80LQFP, Lead-free	None	Industrial : -40 to 85°C

Chrontel

Chrontel International Limited

129 Front Street, 5th floor,

Hamilton, Bermuda HM12

www.chrontel.com

E-mail: sales@chrontel.com