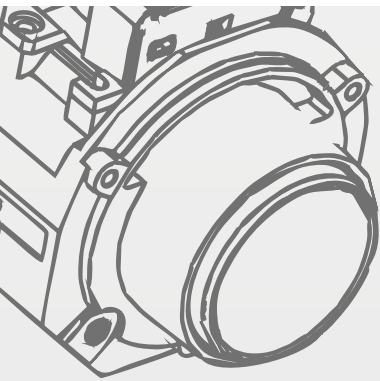


# SURVEILLANCE LENS



**福建福光股份有限公司**

地址：福建省福清市融侨经济开发区光电园

邮编：350300

电话：0591-8398 2411

传真：0591-8330 2603

邮箱：sales@forecam.com

网址：www.forecam.com

**Fujian Forecam Optics Co.,Ltd.**

Add: Ricom Optical Park, RongQiao Economic

Development Zone, Fuqing, Fujian, 350300,

P.R.China

Tel: 0591-8398 2411

Fax: 0591-8330 2603

E-mail:sales@forecam.com

URL:www.forecam.com

**安防监控产品手册**  
2019

# Company profile

## 企业简介

福建福光股份有限公司，成立于1958年，是中国最早的光学产业基地之一。公司传承“更高、更远、更清晰”的技术愿景，专注于光学产品的研发、生产、销售、与服务。公司生产的紫外、可见、红外热成像镜头，广泛应用于安防监控、车载、工业自动化、森林防火、机器视觉、智能家居 等领域。

Fujian Forecam Optics (Brand name: RICOM) was founded in 1958, one of the earliest optical research institutes in China. With decades of experience and technology in UV, Visible-light, Near-IR, MWIR, LWIR field, we provide Surveillance, Vehicles, Thermal and FA lenses for our partners all around the world.

马尾 1号基地  
No. 1Base ,Mawei

50,000m<sup>2</sup>



福清 2号基地  
No. 2Base ,Fuqing

50,000m<sup>2</sup>



企业精神：创新致远 启迪视界

核心价值观：为企业创造利益，为客户创造价值，为员工创造事业，为社会创造效益。

Innovate in vision, focus on future.

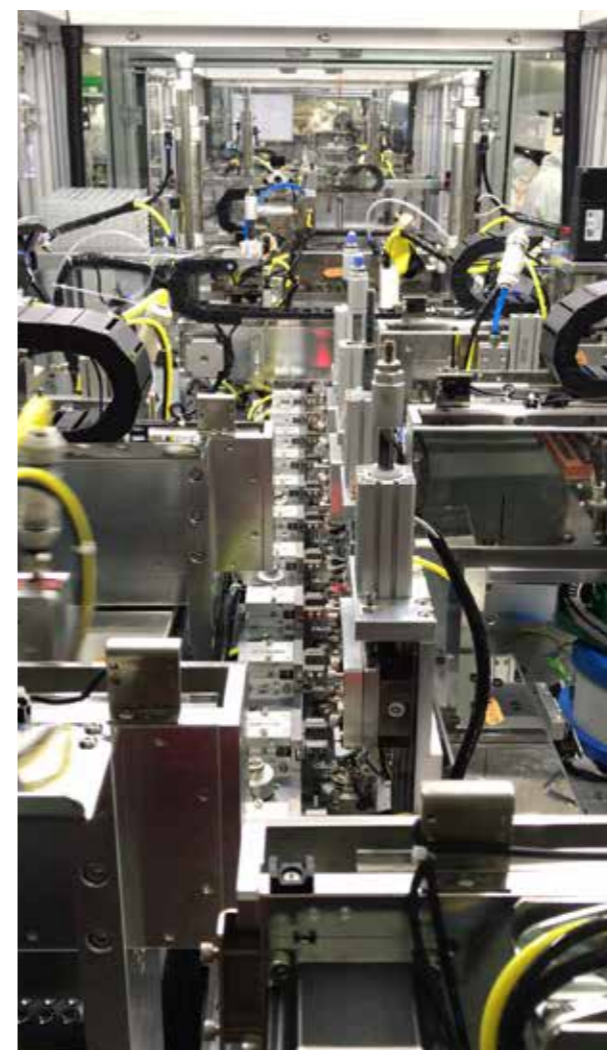
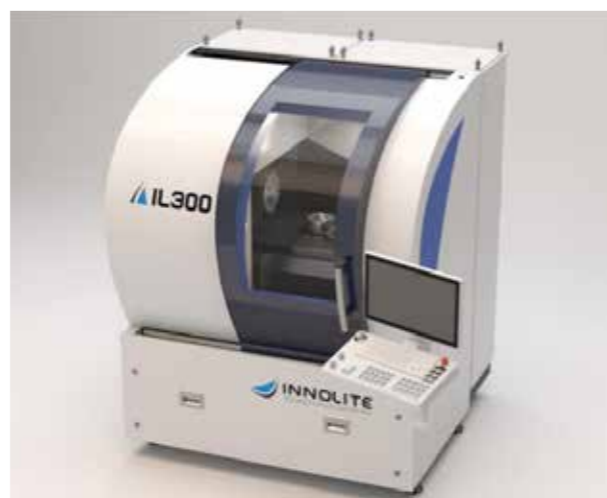
Create value for customers, employees, enterprise and society.

福清 3号基地  
No. 3 Base ,Fuqing

100,000m<sup>2</sup>



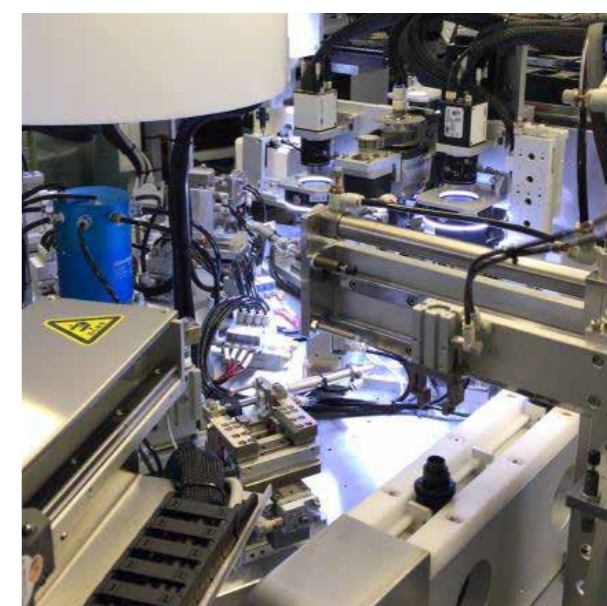




—  
**Automatic production**  
自动化生产



—  
**ultra-precision  
measurement**  
超精密测量



# 一体机镜头

Zoom module



4K  
1/1.8"

## Specification

Model No.	AF03610	AF0832
Image Format	1/1.8"	1/1.8"
EFL	3.6~10mm	8~32mm
Aperture	F1.8~F2.8	★ F1.5~F1.5
Mount Type	Build-in	Build-in
Operating Temperature	-30°C~70°C	

## Field of View

CMOS	3.6~10mm	8~32mm
1/1.8" 4K	H:97°~43° V:53°~26°	H:44.5°~14.5° V:24.4°~8.3°
1/1.8" 6MP	H:95°~42° V:62°~25°	H:42.4°~14° V:27.8°~9.4°
1/1.8" 4MP	H:99°~45° V:46°~27°	H:45.2°~14.8° V:24.8°~8.5°
1/1.8" 1080P	H:89°~41° V:52°~24°	H:41.4°~13.7° V:22.8°~7.8°

# 一体机镜头

Zoom module



6MP  
1/2.7"

## Specification

Model No.	AF02812	AF0722
Image Format	1/2.7"	1/2.7"
EFL	2.8~12mm	7~22mm
Aperture	F1.8-F3.0	F1.6~F2.8
Mount Type	Build-in	Build-in
Operating Temperature	-30°C~70°C	

## Field of View

CMOS	2.8~12mm	7~22mm
1/2.9"	H:94°~32° V:50°~18°	H:42°~15° V:22°~9°
1/2.8"	H:98°~33° V:51°~19°	H:43°~16° V:23°~9°
1/2.8" 4:3	H:88°~30° V:65°~23°	H:38°~15° V:28°~12°
1/2.7"	H:102°~34° V:54°~20°	H:44°~16° V:24°~10°

# 一体机镜头

Zoom module

6MP

1/2.7"



## Specification

Model No.	AF02810	AF03310
Image Format	1/2.7"	1/2.5"
EFL	2.8~10mm	3.3~10mm
Aperture	F1.2~F2.4	F1.3~F2.4
Mount Type	Build-in	Build-in
Operating Temperature	-30°C~70°C	

## Field of View

CMOS	2.8~10mm	3.3~10mm
1/2.9"	H:102°~33° V:53°~19°	/
1/2.8"	H:106°~34° V:56°~20°	/
1/2.8" 4:3	H:96°~32° V:70°~24°	/
1/2.7"	H:112°~35° V:57°~20°	/
1/2.7" 4:3	H:97°~32° V:70°~24°	/
1/2.5" 4:3	/	H:102°~35° V:73°~27°

# 电动变焦系列

Vari-focal Series

4K

1/1.8"



## Specification

Model No.	HV03610
Image Format	1/1.8"
EFL	3.6~10mm
Aperture	F1.8~F2.8
Mount Type	Φ14
Operating Temperature	-30°C~70°C

## Field of View

CMOS	3.6~10mm
1/2.5"	H:90°~37° V:50°~21°
1/2.3"	H:90°~37° V:66°~27°
1/1.9"	H:106°~41° V:58°~24°
1/1.8"	H:114°~45° V:70°~29°



# 电动变焦系列

Vari-focal Series



## Specification

Model No.	HD027135	NV0722-C
Image Format	1/2.7"	1/2.7"
EFL	2.7~13.5mm	7~22mm
Aperture	F1.8~F3.4	F1.6~F2.8
Mount Type	Φ14	Φ14
Operating Temperature	-30°C~70°C	

## Field of View

CMOS	2.7~13.5mm	7~22mm
1/2.9"	H:104°~27° V:54°~18°	H: 42°~15° V:22°~9.1°
1/2.8"	H:108°~28° V:57°~19°	H:43°~16° V:23°~9.5°
1/2.8" 4:3	H:98°~26° V:72°~23°	H:38°~15° V:28°~12.2°
1/2.7"	H:115°~29° V:58°~19°	H:44°~17° V:24°~9.9°
1/2.7" 4:3	H:99°~26° V:71°~23°	H:37°~15° V:28°~12.2°

# 电动变焦系列

Vari-focal Series



## Specification

Model No.	HR027135
Image Format	1/2.7"
EFL	2.7~13.5mm
Aperture	F1.6~F3.4
Mount Type	Φ14
Operating Temperature	-30°C~70°C

## Field of View

CMOS	2.7~13.5mm
1/2.9"	H:104°~27° V:54°~18°
1/2.8"	H:108°~28° V:57°~19°
1/2.8" 4:3	H:98°~26° V:72°~23°
1/2.7"	H:115°~29° V:58°~19°
1/2.7" 4:3	H:99°~26° V:71°~23°

## 电动变焦系列

Vari-focal Series

6MP

1/2.7"



### Specification

Model No.	DV02810	DV03310
Image Format	1/2.7"	1/2.5"
EFL	2.8~10mm	3.3~10mm
Aperture	F1.2~F2.4	F1.3~F2.4
Mount Type	Φ14	Φ14
Operating Temperature	-30°C~70°C	

### Field of View

CMOS	2.8~10mm	3.3~10mm
1/2.9"	H:102°~33° V:53°~19°	/
1/2.8"	H:106°~34° V:56°~20°	/
1/2.8" 4:3	H:96°~32° V:70°~24°	/
1/2.7"	H:112°~35° V:57°~20°	/
1/2.7" 4:3	H:97°~32° V:70°~24°	/
1/2.5" 4:3	/	H:102°~35° V:73°~27°

## 定焦模组系列

Mono-focal Module

6MP

1/2.7"



### Specification

Model No.	MTV2.4-C	MTV2.8-B-P	MTV4-B-P	MTV5.2
Image Format	1/2.7"	1/2.5"	1/2.5"	1/2.5"
EFL	2.4mm	2.8mm	4mm	5.2mm
Aperture	F2.2	F2.0	F2.0	F2.0
TTL	23.8mm	22.4mm	22.6mm	22.2mm
Operating Temperature	-30°C~70°C			

### Field of View

CMOS	2.4mm	2.8mm	4mm	5.2mm
1/2.9"	130°x73°	104°x58°	82°x44°	60°x34°
1/2.8"	135°x76°	108°x60°	87°x46°	62°x35°
1/2.8" 4:3	124°x93°	99°x74°	79°x57°	57°x43°
1/2.7"	140°x78°	112°x62°	91°x48°	65°x36°
1/2.7" 4:3	126°x93°	101°x75°	80°x58°	58°x43°
1/2.5"	/	121°x67°	100°x52°	70°x39°
1/2.5" 4:3	/	111°x82°	90°x64°	64°x48°

## 定焦模组系列

Mono-focal Module



6MP

1/2.7"

ASP

### Specification

Model No.	MTV2.8EP	MTV4EP	MTV6EP
<b>Image Format</b>	1/2.7"	1/2.7"	1/2.7"
<b>EFL</b>	2.8mm	4mm	6mm
<b>Aperture</b>	F1.6	F1.6	F1.6
<b>TTL</b>	22.5mm	22.5mm	22.5mm
<b>Mount Type</b>	M12	M12	M12
<b>Operating Temperature</b>	-30°C~70°C		

### Field of View

CMOS	2.8mm	4mm	6mm
1/2.9"	108°×60°	86°×47°	52°×28°
1/2.8"	113°×62°	89°×49°	54°×30°
1/2.8" 4:3	102°×76°	81°×61°	50°×36°
1/2.7"	117°×64°	93°×51°	56°×30°

## 鱼眼镜头

Fisheye

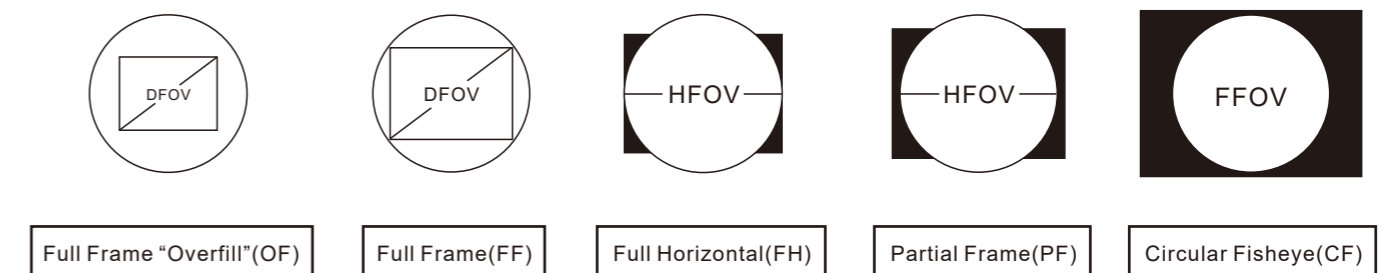


180°

### Specification

Model No.	FS0147.IR	FS0157.IR
<b>Focal Length</b>	1.47mm	1.57mm
<b>Aperture</b>	F2.2	F2.2
<b>TTL</b>	30.7	29.6
<b>Mount Type</b>	M12	M12
<b>Operating Temperature</b>	-30°C~70°C	
<b>Image cycle</b>	Φ4.5	Φ4.1
	12MP: IMX415	4K: IMX334/OS08A
	6MP: IMX178	5MP: AR0521
	2MP: AR0220	2MP: IMX185
	4K: AR0835	/
	5MP: OV5653	/
	3MP: AR0335	/

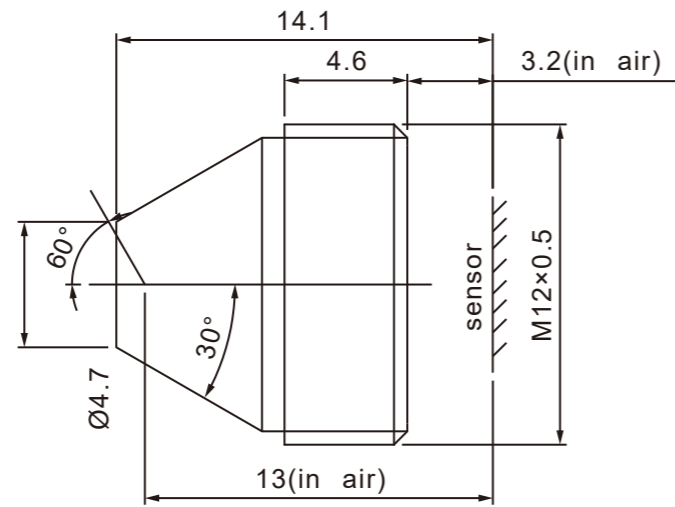
### Image Circle





# 尖锥镜头

Pin-hole



3MP

1/2.8"

## Specification

Model No.	KS037
Image Format	1/2.8"
EFL	3.7mm
Aperture	F2.8
Mount Type	M12
Operating Temperature	-30°C~70°C

## Field of View

CMOS	3.7mm
1/3"	H:70° V:55°
1/2.9"	H:88° V:46°
1/2.8"	H:92° V:47°
1/2.8" 4:3	H:82° V:59°

# CS接口镜头

CS mount vari-focal



12MP

F0.95

1/1.7"

## Specification

Model No.	HV0734
Image Format	1/1.7"
EFL	7~34mm
Aperture	F0.95~F0.95
Mount Type	CS
Operating Temperature	-30°C~70°C

## Field of View

CMOS	7~34mm
1/2.3" 12MP	H:46°~14° V:34°~10°
1/1.8" 1080P	H:54°~16° V:30°~8°
1/1.8" 4MP	H:58°~17° V:32°~9°
1/1.8" 6MP	H:54°~16° V:36°~11°
1/1.8" 4K	H:57°~17° V:32°~9°
1/1.7" 12MP	H:55°~16° V:40°~12°

## CS接口镜头

CS mount vari-focal



4K  
1/1.8"

### Specification

Model No.	HV03617	HV1250
Focal Length	3.6~17mm	12~50 mm
Image Format	1/1.8"	1/1.8"
Aperture	F1.5-F3.0	F1.5-F1.8
Mount Type	CS	CS
Operating Temperature	-30°C~70°C	-30°C~70°C

### Field of View

CMOS	3.6~17mm	12~50 mm
1/2.5"	91°~23°	26.7°~6.8°
1/2.3"	87°~22°	29.0°~7.4°
1/1.8"	107°~27°	33.4°~8.6°
1/1.7"	105°~27°	/

## CS接口镜头

CS mount vari-focal



4K  
1/1.8"

### Specification

Model No.	HV03610	
Focal Length	3.6~10 mm	
Image Format	1/1.8"	1/1.7"
Aperture	F1.5~F2.5	F1.6~F2.5
Mount Type	CS	CS
Operating Temperature	-30°C~70°C	-30°C~70°C

### Field of View

CMOS	3.6~10 mm	4~10 mm
1/2.5"	86°~35°	81°~35°
1/2.3"	90°~37°	85°~37°
1/1.8"	106°~41°	100°~41°
1/1.7"	/	108°~45°

## CS接口镜头

CS mount vari-focal



5MP  
1/2.7"

### Specification

Model No.	NV03105	TV033105
Focal Length	3~10.5mm	3.3~10.5 mm
Image Format	1/2.7"	1/2.5"
Aperture	F1.4~F2.8	F1.5~F2.8
Mount Type	CS	CS
Operating Temperature	-30°C~70°C	-30°C~70°C

### Field of View

CMOS	3~10.5mm	3.3~10.5 mm
1/2.9"	H:94°~32° V:50°~18°	H:88°~31° V:48°~16°
1/2.8"	H:98°~33° V:51°~19°	H:90°~32° V:49°~17°
1/2.8" 4:3	H:88°~30° V:65°~23°	H:85°~30° V:62°~21°
1/2.7"	H:102°~34° V:54°~20°	H:96°~33° V:51°~19°
1/2.5"	/	H:95°~33° V:69°~25°

## CS接口镜头

CS mount vari-focal



3MP  
1/2.7"



### Specification

Model No.	TT02812	NV0722
Focal Length	2.8~12mm	7~22mm
Image Format	1/2.7"	1/2.7"
Aperture	F1.4	F1.4
Mount Type	CS	CS
Operating Temperature	-30°C~70°C	-30°C~70°C

### Field of View

CMOS	2.8~12mm	7~22mm
1/3"	H:86°~26° V:49°~17°	H:36°~14° V:27°~11°
1/2.9"	H:105°~33° V:50°~18°	H:40°~16° V:22°~9°
1/2.8"	H:108°~33° V:64°~22°	H:42°~16° V:23°~9°
1/2.7"	H:112°~34° V:53°~19°	H:43°~17° V:24°~10°

## CS接口镜头

CS mount vari-focal



2MP  
1/2.9"

### Specification

Model No.	NV0560	NV05100	RV10120
Focal Length	5~60mm	5~100mm	10~120mm
Image Format	1/3"	1/2.9"	1/3"
Aperture	F1.6	F1.6	F1.6
Mount Type	CS	CS	CS
Operating Temperature	-30°C~70°C	-30°C~70°C	-30°C~70°C

### Field of View

CMOS	5~60mm	5~100mm	10~120mm
1/3"	48°~5°	51°~2.8°	27°~2°
1/2.9"	/	/	/
1/2.8"	/	/	/
1/2.7"	/	/	/

## 长焦透雾镜头

Long focus zoom lens



2MP  
1/2"

### Specification

Model No.	EB10210	EB15310	EB125775
Focal Length	10~210mm	15~310mm	12.5~775mm
Image Format	1/2"	1/2"	1/2"
Zoom ratio	21X	20X	62X
Aperture	F1.6(W)~F3.6(T)	F2.5(W)~F4.8(T)	F3.5(W)~F3.8(T)
Dimensions(mm)	W88×H98×L185	W88×H98×L203	W154×H136×L376
Operating Temperature	-30°C~70°C	-30°C~70°C	-30°C~70°C
Weight(g)	1200	860	5100

### Field of View

CMOS	10~210mm	15~310mm	12.5~775mm
1/2"	34.9°~1.8°	32.5°~1.5°	28.4°~0.5°