



Hi3559 V100 Professional 2K/4K Mobile Camera SoC

Brief Data Sheet

Issue **02**

Date **2017-05-17**

Copyright © HiSilicon Technologies Co., Ltd. 2016-2017. All rights reserved.

No part of this document may be reproduced or transmitted in any form or by any means without prior written consent of HiSilicon Technologies Co., Ltd.

Trademarks and Permissions



HISILICON, and other HiSilicon icons are trademarks of HiSilicon Technologies Co., Ltd.

All other trademarks and trade names mentioned in this document are the property of their respective holders.

Notice

The purchased products, services and features are stipulated by the contract made between HiSilicon and the customer. All or part of the products, services and features described in this document may not be within the purchase scope or the usage scope. Unless otherwise specified in the contract, all statements, information, and recommendations in this document are provided "AS IS" without warranties, guarantees or representations of any kind, either express or implied.

The information in this document is subject to change without notice. Every effort has been made in the preparation of this document to ensure accuracy of the contents, but all statements, information, and recommendations in this document do not constitute a warranty of any kind, express or implied.

HiSilicon Technologies Co., Ltd.

Address: Huawei Industrial Base
Bantian, Longgang
Shenzhen 518129
People's Republic of China

Website: <http://www.hisilicon.com>

Email: support@hisilicon.com



Hi3559 V100 Professional 2K/4K Mobile Camera SoC

Introduction

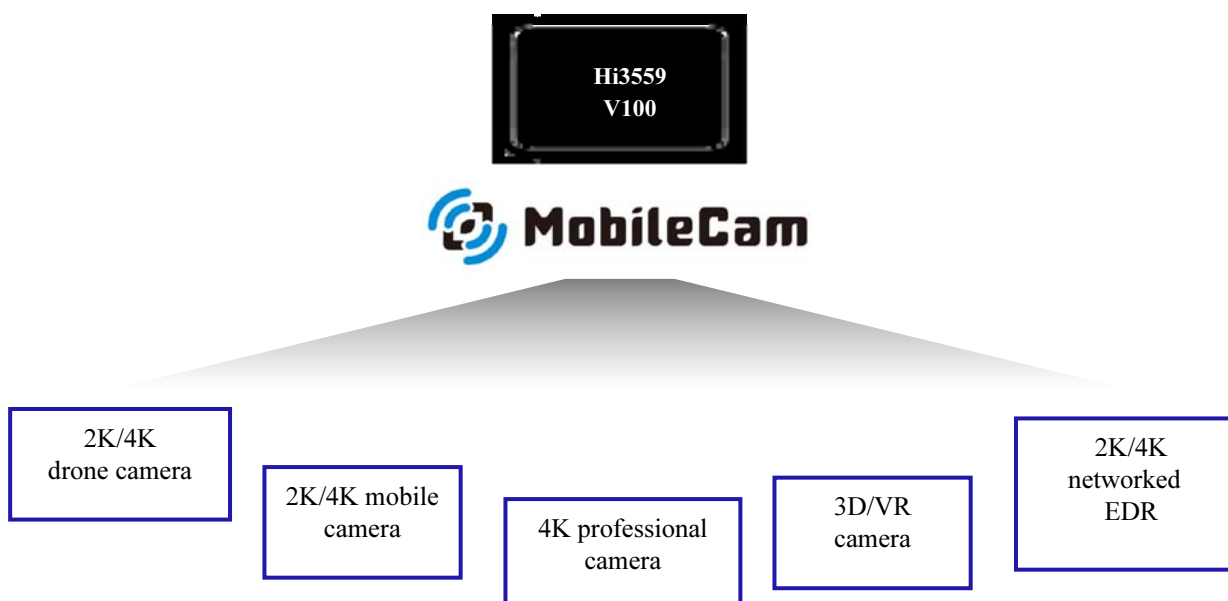
Hi3559 V100 is a new-generation MobileCam™ intelligent video processor provided by HiSilicon, a leading supplier in the global ultra-HD video technologies. The Hi3559 V100 processor is launched for the professional camera, high-end drone camera, extreme sports motion DV, 3D/VR camera, and high-end EDR product fields.

Hi3559 V100 uses the HiSilicon fifth-generation Hi-Lark high-performance video encoder, which supports simultaneous 4K@30 fps encoding and 1-channel 1080p@30 fps small-stream encoding. Besides, it can also record high-frame-rate videos such as 2K@60 fps, 1080p@120 fps, and 720p@240 fps.

Hi3559 V100 uses the HiSilicon fourth-generation Hi-ISP high-performance graphics processor and adopts the latest 3A, 3DNR, and HDR technologies to achieve professional picture effect. Hi3559 V100 supports dual sensor inputs and maximum 16-megapixel and 8-megapixel video processing to flexibly support the service scenarios that required dual-channel recording, such as the 3D/VR camera. Hi3559 V100 integrates high-speed transfer and storage USB 3.0 and PCIe 2.0 interfaces that transfer and store 1080P RAW data to achieve the effect of a professional camera.

Hi3559 V100 integrates the high-performance dual-core CPU (A17+A7). Apart from the video encoding and ISP processing functions, Hi3559 V100 also supports intelligent functions, such as EIS and optical flow hovering. Hi3559 V100 adopts the 28 nm HPC+ advanced manufacturing process and the 10 mm x 10 mm (0.39 in. x 0.39 in.) FC-CSP package. These features enable Hi3559 V100 to continuously lead the industry in high picture quality, low power consumption, and miniaturization.

Application Scenario



Key Specifications

- **4K30/1440P60 H.265 Encoding**
4K@30 fps+1080p@30 fps or 1440p@60 fps+1080p@30 fps H.265 encoding
- **Dual-Sensor Inputs**
2K x 2K@30 fps 3D or 3K x 3K@15 fps dual-fisheye inputs
- **6-DoF DIS**
- **High-Speed Memory Interfaces**
USB 3.0 or PCIe 2.0 high-speed interface
- **RAW Video Output**
Professional 1080p video RAW output
- **Low Power Consumption**
1.25 W typical power consumption in the 4K@30 fps+1080p@30 fps H.265 encoding scenario
- **Miniaturization Package**
10 mm x 10 mm (0.39 in. x 0.39 in.) package



Hi3559 V100 Professional 2K/4K Mobile Camera SoC

Major Specifications

Processor Core

- 1.25 GHz A17 core, supporting 32 KB I-cache, 32 KB D-cache, and 256 KB L2 cache
- 800 MHz A7 core, supporting 32 KB I-cache, 32 KB D-cache, and 128 KB L2 cache
- Neon acceleration, integrated FPU
- Linux+Huawei LiteOS dual-system heterogeneous architecture

Video Encoding

- H.264 BP/MP/HP
- H.265 Main Profile
- I/P/B frame H.264/H.265 encoding, supporting the dual-P-frame reference mode
- MJPEG/JPEG Baseline encoding

Video Encoding Performance

- Maximum 16-megapixel (4608 x 3456) resolution for H.264/H.265 encoding
- H.264/H.265 multi-stream real-time encoding capability of 4K@30 fps+1080p@30 fps+4K@2 fps snapshot
- Maximum 16-megapixel@15 fps JPEG snapshot performance
- CBR, VBR, FIXQP, AVBR, and QPMAP modes
- Maximum 100 Mbit/s output bit rate
- Encoding of eight ROIs

Intelligent Video Analysis

- Integrated intelligent analysis acceleration engine, which allows customers to develop intelligent applications targeted for the mobile camera product, such as optical flow hovering and target tracking

Video and Graphics Processing

- 3DNR, image enhancement, and DCI
- Anti-flicker for output videos and graphics
- 1/30x to 16x video scaling
- Horizontal seamless stitching of 2-channel videos
- 1/2x to 2x graphics scaling
- OSD overlaying of eight regions before encoding
- Video graphics overlaying of two layers (video layer and graphics layer)

ISP

- 2-channel independent ISP processing
- Adjustable 3A functions (AE, AWB, and AF)
- FPN removal
- Highlight suppression, backlight compensation, gamma correction, and color enhancement
- DPC, NR, and DIS
- Anti-fog
- LDC and fisheye correction
- Picture rotation by 90° or 270°
- Picture mirror and flip
- Sensor built-in WDR, 4F/3F/2F frame-based/line-based WDR, and local tone mapping. The second channel of ISP

processing supports only sensor built-in WDR, 2F frame-based/line-based WDR, and local tone mapping.

- ISP tuning tools for the PC

Audio Encoding/Decoding

- Voice encoding/decoding complying with multiple protocols by using software
- MP3 or AAC audio encoding format
- Audio 3A functions (AEC, ANR, and ALC)

Security Engine

- AES, DES, and 3DES encryption and decryption algorithms implemented by using hardware
- RSA1024/2048/4096 signature verification algorithm implemented by using hardware
- Hash-SHA1/256 and HMAC_SHA1/256 tamper proofing algorithms implemented by using hardware
- Integrated 512-bit OTP storage space and hardware random number generator

Video Interfaces

- VI Interfaces
 - Two sensor inputs. The maximum resolution for the main channel is 16 megapixels (4608 x 3456), and the maximum resolution for the second input is 8 megapixels (4096 x 2160) or 9 megapixels (3000 x 3000).
 - 8-/10-/12-/14-bit RGB Bayer DC timing VI, at most 150 MHz clock frequency
 - BT.601, BT.656, and BT.1120 VI interfaces
 - Maximum 12-lane MIPI/LVDS/sub-LVDS/HiSPi interface for the main channel
 - Maximum 4-lane MIPI/LVDS/sub-LVDS/HiSPi interface for the second sensor interface
 - Compatibility with mainstream HD CMOS sensors provided by Sony, Aptina, OmniVision, and Panasonic
 - Compatibility with the electrical specifications of parallel and differential interfaces of various sensors
 - Programmable sensor clock output
- VO interfaces
 - One PAL/NTSC output for automatic load detection
 - One BT.1120/BT.656 VO interface for connecting to an external HDMI or SDI, 1080p@60 fps output at most
 - LCD output

Audio Interfaces

- Integrated audio codec supporting 16-bit audio inputs and outputs
- I²S interface for connecting to the external audio codec
- Dual-channel differential MIC inputs for reducing background noises

Peripheral Interfaces

- POR
- External reset input
- Internal RTC
- Integrated 3-channel LSADC



Hi3559 V100 Professional 2K/4K Mobile Camera SoC

- Five UART interfaces
- IR interface, I²C interface, SSP master interface, and GPIO interface
- Eight PWM interfaces (four independent interfaces and four ones multiplexed with other pins)
- Two SD 3.0/SDIO 3.0 interfaces, supporting SDXC
- One USB 3.0/USB 2.0 host/device port
- One PCIe 2.0 interface in master/slave mode

- 4-/8-/24-/40-/64-bit ECC
- Components with 8 GB or larger capacity
- Booting from the SPI NOR flash, SPI NAND flash, or NAND flash
- Booting from an eMMC or PCIe

External Memory Interfaces

- DDR4/DDR3/DDR3L/LPDDR3 interface
 - 32-bit LPDDR3
 - 32-bit DDR4/DDR3/DDR3L
 - Maximum capacity of 1024 MB for a 16-bit DDR SDRAM
 - Maximum total capacity of 2048 MB for two 16-bit DDR SDRAMs
- SPI NOR flash interface
 - 1-/2-/4-line mode
 - 3-byte or 4-byte address mode
 - Maximum capacity of 32 MB
- SPI NAND flash interface
 - Maximum capacity of 512 MB
- eMMC 5.0 interface
 - Maximum capacity of 2 TB
- NAND flash interface
 - 8-bit data width
 - SLC or MLC

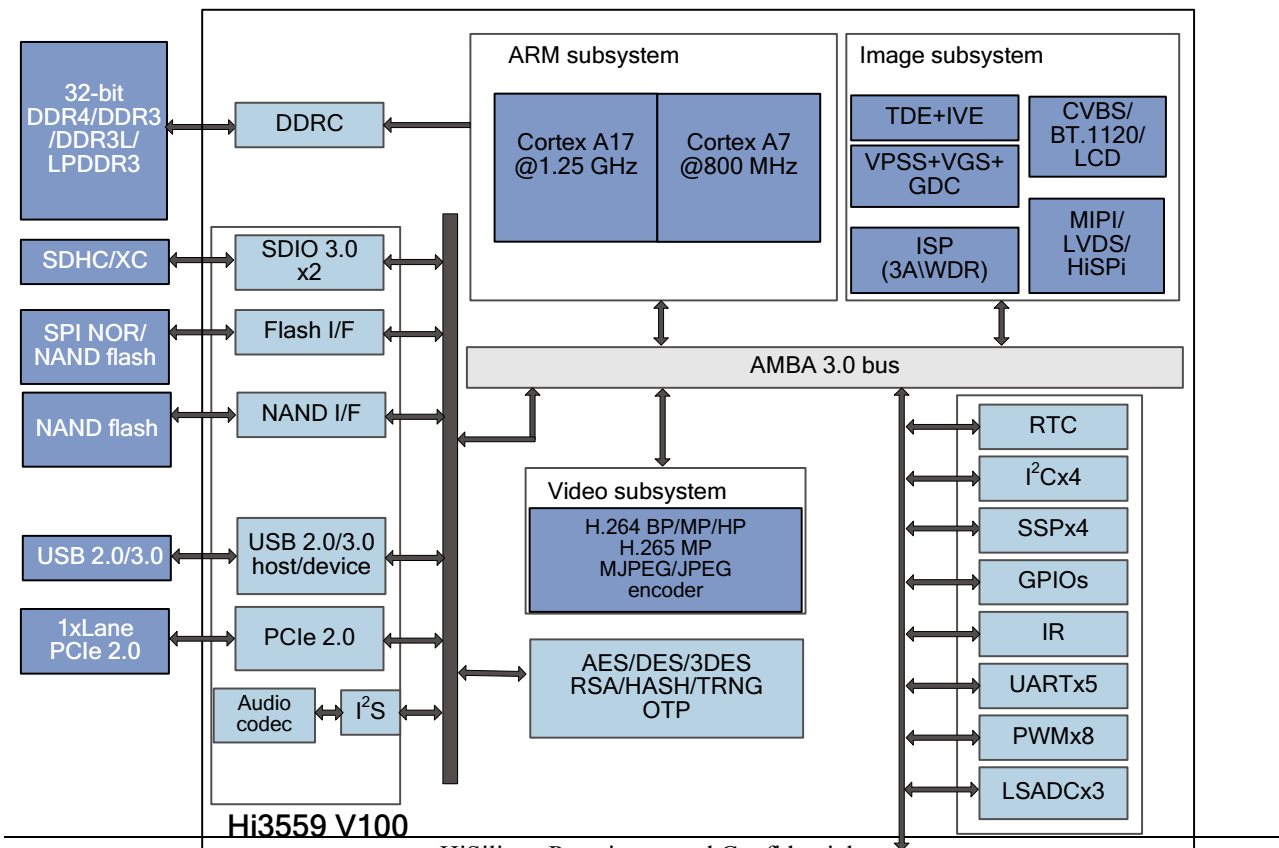
SDK

- Dedicated SDK for the consumer mobile camera
- High-performance H.265 iOS/Android decoding library

Physical Specifications

- Power consumption
 - Typical power consumption of 1.25 W
 - Multi-level power saving mode
- Operating voltages
 - 0.9 V core voltage
 - 3.3 V I/O voltage and 3.8 V margin voltage
 - 1.2 V, 1.5 V, 1.35 V, and 1.2 V voltage for the DDR4, DDR3, DDR3L, and LPDDR3 SDRAM interface, respectively
- Package
 - RoHS, FC-CSP
 - Body size of 10 mm x 10 mm (0.39 in. x 0.39 in.)
 - Lead pitch of 0.4 mm (0.02 in.)

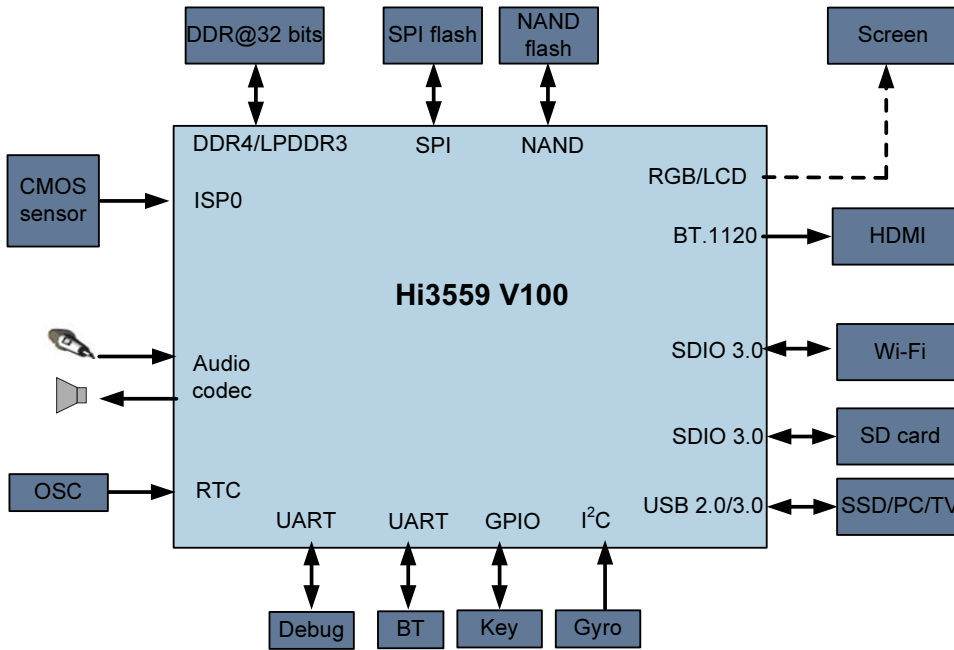
Functional Block Diagram





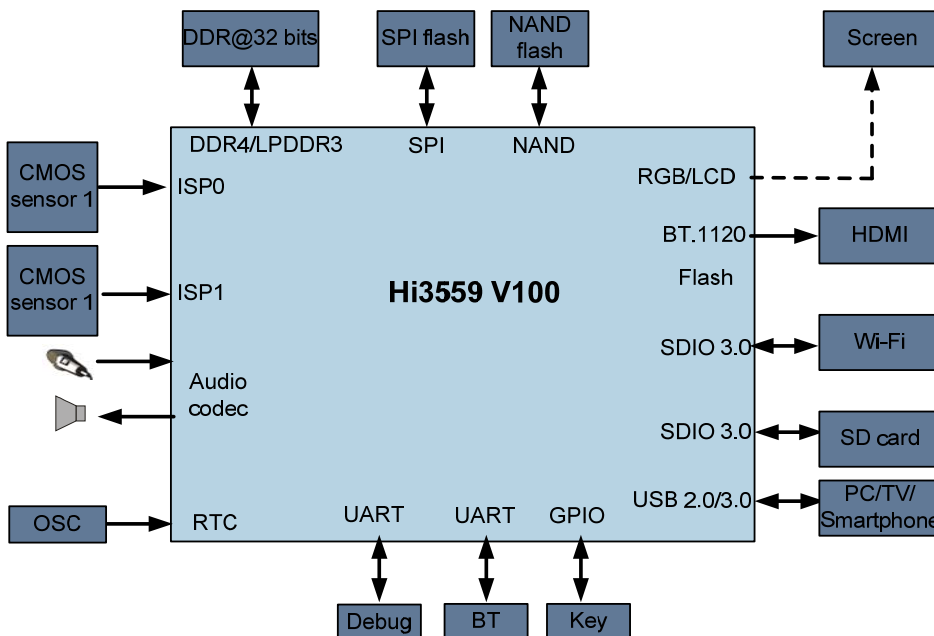
Hi3559 V100 Professional 2K/4K Mobile Camera SoC

Hi3559 V100 Motion Camera and Professional Camera Solution



- Supports 6-DoF 4K@30 fps video DIS in the gyro auxiliary information.
- Supports HDR photographing.
- Supports RAW video output.
- Support low-power LPDDR3 and DDR4.
- Supports 2x SDIO 3.0, the extended low-power Wi-Fi module, and the external SDXC card.
- Supports dual MICs and provides advanced dual-MIC NR algorithms.

Hi3559 V100 3D/VR Camera Solution

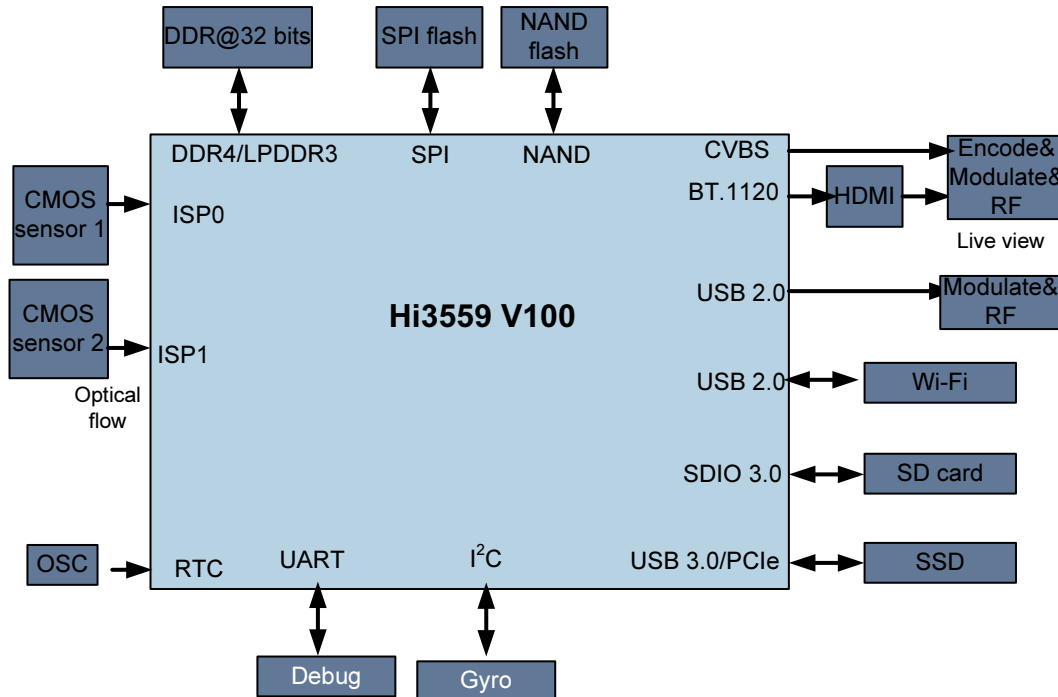


- Supports dual-channel 3K x 3K@15 fps or 2K x 2K@30 fps input and professional dual-channel ISP processing.
- Supports HDR photographing.
- Support low-power LPDDR3 and DDR4.
- Supports 2x SDIO 3.0, the extended low-power Wi-Fi module, and the external SDXC card.
- Supports dual MICs and provides advanced dual-MIC NR algorithms.



Hi3559 V100 Professional 2K/4K Mobile Camera SoC

Hi3559 V100 Drone Camera Solution



- Supports 6-DoF 4K@30 fps video DIS in the gyro auxiliary information.
- Supports HDR photographing.
- Supports RAW video output.
- Support low-power LPDDR3 and DDR4.
- Support the input of the second-channel sensor for optical flow hovering.
- Support low-power LPDDR3 and DDR4.
- Supports CVBS-to-HDMI or BT.1120-to-HDMI and outputs videos in real time for picture transmission.
- Allows the second-channel low-delay stream to be output over the USB 2.0 port for picture transmission.