



# Hi3796M V100 Brief Data Sheet

## Key Specifications

### CPU

- Quad-core ARM Cortex A7
- Integrated multimedia acceleration engine NEON
- Hardware Java acceleration
- Integrated hardware floating-point coprocessor

### 3D GPU

- Quad-core Mali450
- OpenGL ES 2.0/1.1/1.0 OpenVG 1.1, EGL

### Memory Interfaces

- DDR3/DDR3L interface
  - Maximum 2 GB capacity
  - 32-bit memory
  - Maximum 800 MHz frequency (DDR-1600)
- NAND flash interface
  - SLC/MLC flash memory
  - 8-bit data width
  - Maximum 64 GB capacity
  - Maximum 64-bit ECC
- eMMC flash memory

### HiVXE Video Decoding

- H.265 Main Profile@L5.0 High-tier
- H.264 BP/MP/HP@L5.1
- Full-HD 3D videos (MVC), blu-ray navigation
- AVS baseline profile@L6.0, AVS-P16 (AVS+)
- MPEG1
- MPEG2 SP@ML, MP@HL
- MPEG4 SP@L0-3, ASP@L0-5, GMC
- MPEG4 short header format (H.263 baseline)
- VC-1 SP@ML, MP@HL, AP@L0-3
- VP6/8
- MJPEG decoding, maximum 1080p@30 fps
- 4K x 2K@30 fps decoding
- Low delay decoding
- Simultaneous 4-channel HD decoding

### Image Decoding

- Full HD JPEG hardware decoding, maximum 64 megapixels
- PNG hardware decoding, maximum 64 megapixels

### Video and Image Encoding

- H.264 BP/MP/HP@L4.2 video encoding, 1080p@30 fps
- JPEG hardware encoding, maximum 1080p@30 fps
- VBR or CBR mode for video encoding
- Low delay encoding

### Audio Encoding and Decoding

- MPEG L1/L2
- Dolby Digital/Dolby Digital Plus Decoder-Converter
- Dolby True HD decoding
- DTS and DTS HD core decoding
- Dolby Digital/DTS transparent transmission

- AAC-LC and HE AAC V1/V2 decoding
- APE, FLAC, Ogg, AMR-NB, and AMR-WB decoding
- G.711 (u/a) audio decoding
- Downmixing, resampling, highly dynamic volume control
- High-quality Karaoke, supporting echo cancellation and G.711v (u/a), AMR-NB, AMR-WB, and AAC-LC audio encoding

### TS Demultiplexing/PVR

- Two TS standard serial inputs
- Maximum 96 hardware PID filters
- DVB CSA, AES, and DES descrambling algorithms
- Recording of scrambled and non-scrambled streams

### Security Processing

- Downloadable CA
- TV OS security solutions
- Android security solutions
- AES, DES, and 3DES data encryption and decryption
- Content protection for USB devices
- ROM flashing protection
- SVP

### Image and Display Processing (Imprex Processing Engine)

- Hardware overlaying of multi-channel graphics and video inputs
- Three OSD layers
- Four video layers
- Screen mirroring
- Ultra-low-delay video processing
- Letter box and PanScan
- Full format 3D video processing and display
- Multi-tap vertical and horizontal scaling of videos and graphics; free scaling
- Enhanced full-hardware TDE
- Full-hardware anti-aliasing and anti-flicker
- CSC with configurable coefficients
- Image enhancement and denoising
- Deinterlacing
- Sharpening
- Chrominance, luminance, contrast, and saturation adjustment
- Video Db/Dr processing

### Audio/Video Interfaces

- PAL, NTSC, and SECAM standard output, and forcible standard conversion
- Aspect ratio of 4:3 or 16:9 and forcible aspect ratio conversion
- 4K x 2K/1080p50/1080p30/1080p24/1080i60/1080i50/720p/576p/576i/480p/480i output
- One SD output and one HD output from the same source or different sources

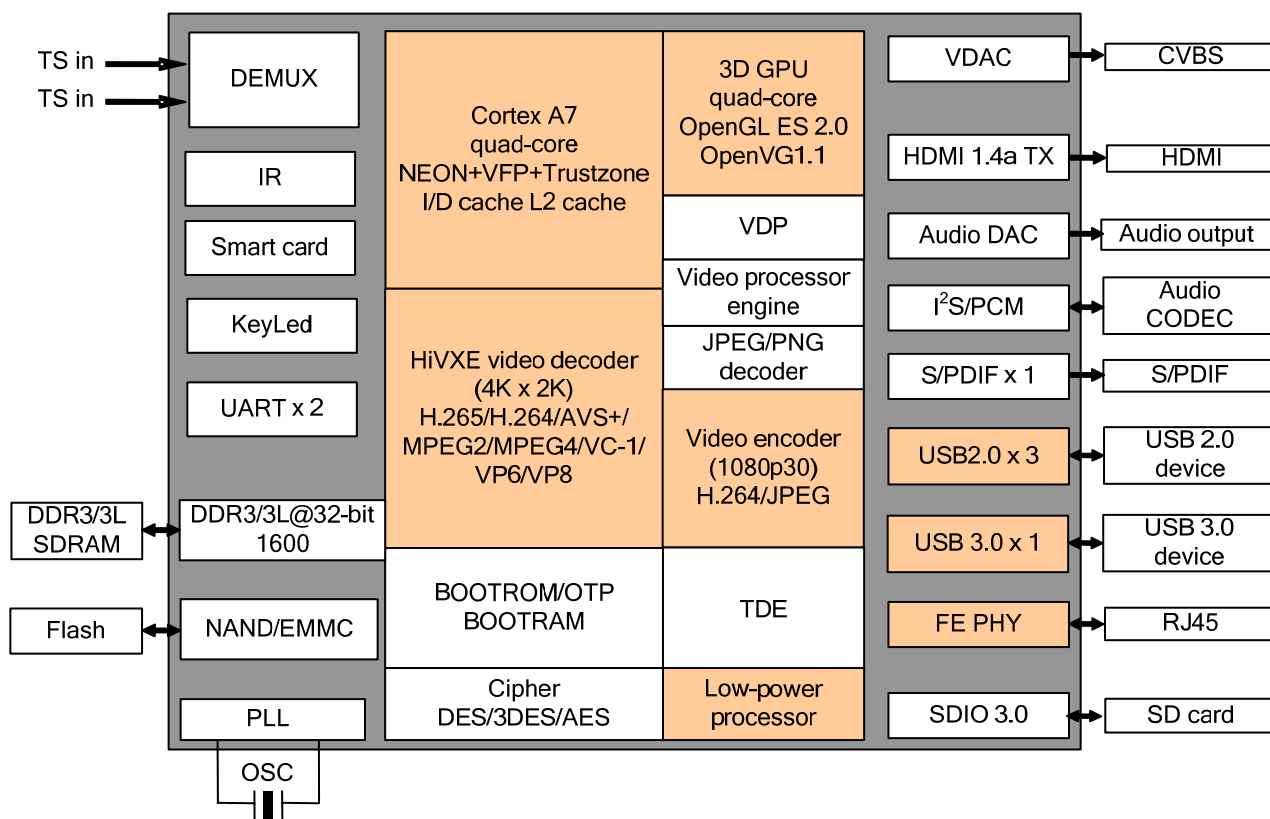


## Hi3796M V100 Brief Data Sheet

- One HDMI 1.4a TX with HDCP 1.4 output
- Analog video interfaces
  - One CVBS interface
  - One embedded VDAC
- Audio interfaces
  - Audio-left and audio-right channels
  - SPDIF interface
  - Embedded ADAC output
  - One I<sup>2</sup>S/PCM digital audio input/output
  - HDMI audio output
- One 10 Mbit/s or 100 Mbit/s adaptive Ethernet port with the integrated FE PHY
- One IR receiver with one input interface
- One smart card interface, supporting the T0, T1, and T14 protocols
- Multiple I<sup>2</sup>C interfaces
- Multiple UART interfaces
- Multiple GPIO interfaces
- Integrated POR module

**Other Specifications****Peripheral Interfaces**

- Various boot modes
- USB bootstrap when the flash memory is empty
- Integrated standby processor, supporting various standby modes and less than 30 mW standby power consumption
- Low-power design such as AVS and DVFS
- One USB 3.0 host port
- Three USB 2.0 host ports
- Boot and debugging over the USB port
- One SDIO 3.0 interface

**Functional Block Diagram****NOTE**

- DTS, mentioned in this document, is a registered trademark of DTS Inc. and its subsidiaries. Any parties intending to use the trademark must obtain the permission from DTS Inc. or its subsidiaries.
- Dolby, mentioned in this document, is a registered trademark of Dolby Laboratories, Inc. Any parties intending to use the trademark must obtain the permission from Dolby Laboratories, Inc.



## Hi3796M V100 Brief Data Sheet

### Acronyms and Abbreviations

ADAC	audio digital-to-analog converter
ADB	Android debug bridge
AVS	adaptive voltage scaling
BGA	ball grid array
CBR	constant bit rate
CSC	color space conversion
CVBS	composite video broadcast signal
DSP	digital signal processor
DVFS	dynamic voltage frequency scaling
ECC	error correcting code
eMMC	embedded multimedia card
FE	fast Ethernet
GMC	global motion compensation
GPIO	general-purpose input/output
GPU	graphics processing unit
HDMI	high-definition multimedia interface
HEVC	high efficiency video coding
I <sup>2</sup> C	inter-integrated circuit
IR	infrared
I <sup>2</sup> S	inter-IC sound
JPEG	Joint Photographic Experts Group
MJPEG	Motion Joint Photographic Experts Group
MLC	multi-level cell
MPEG	Moving Picture Experts Group
MVC	multiview video coding
NTSC	National Television System Committee
OTT	over-the-top
PCB	printed circuit board
PCM	pulse-code modulation
PID	packet identifier
POR	power-on reset
ROI	region of interest
SDIO	secure digital input/output
SLC	single-level cell
SPDIF	Sony/Philips digital interface
SPI	serial peripheral interface
STB	set-top box
SVP	secure video path
TDE	two-dimensional engine
UART	universal asynchronous receiver transmitter
VBI	vertical blanking interval
VBR	variable bit rate
VDAC	video digital-to-analog converter