
CH7033B HDTV/VGA/ DVI Encoder

FEATURES

- DVI encoder support up to 1080p
- Supports Component YPrPb (HDTV) up to 1080p and analog RGB (VGA) monitor up to 1920x1080 resolution
- Support scaled and bypassed video streams output from VGA/HDTV and DVI interfaces simultaneously
- Three 10-bit high speed DACs
- SPDIF audio interface supports either 16-bit or 20-bit stereo data for up to 192kHz/2ch
- Support 2 channel I2S digital audio input for up to 24-bit data stream (32kHz, 44.1kHz, 48kHz, 88.2kHz, 96kHz, 176.4kHz and 192kHz)
- DDC master for reading EDID
- Hot plug detection for DVI
- TV/Monitor connection detect capability. DACs can be switched off through programming internal registers
- Pixel-level color enhancement for brightness, contrast, hue and saturation adjustment for HDTV and VGA output
- On-chip frame buffer supports frame rate conversion provides the graphic controller the flexibility of video timing output
- Advanced scaling engine to upsize/downsize input resolution for DVI display up to 1080p, VGA up to 1920 x1080 and HDTV up to 1080p
- Supports 8/12/16/18/24-bit parallel interface input for either RGB format (RGB-565, RGB-666 or RGB-888 and etc.) or YCrCb format (ITU-R 656 or ITU-R 601). 80/86 MPU interface and DE only mode are also supported.
- Wide range of input resolutions support for up to 1366x768 (i.e. 640x480, 720x480, 720x576, 800x600, 1024x600, 1024x768, 1280x800, and etc.)
- Image display rotation support at 90/180/270 degree or flipped in horizontal/vertical position
- Pixel clock input frequency support for up to 165 MHz
- IO Supply Voltages from 1.2V to 3.3V and SPC/SPD Supply Voltages from 1.8V to 3.3V.
- Programmable power management
- Device fully programmable through serial port or can automatically load firmware from Chrontel Boot ROM (CH9904)
- Offered in a 88-pin QFN package

GENERAL DESCRIPTION

The Chrontel CH7033B is specifically designed for consumer electronics device and PC markets which multiple high definition content display formats are required. With its advanced video encoder, flexible scaling engine and easy-to-configure audio interface, the CH7033B satisfies manufactures' products display requirements and reduce their costs of development and time-to-market.

High quality high-bandwidth uncompressed video like DVI and YPrPb components or legacy VGA analog display are supported by the device's color format converter. The 3 high-performance, 10-bit DACs can be used for either HDTV display or VGA output depending on manufactures' products specification. The device is compliant with EIA770-3 and SMPTE 274M/293M/296M standards and supports HDTV resolution for up to 1080p. The CH7033B has the ability to generate composite syncs if required by the RGB monitor.

The CH7033B's 24-bit parallel bus accepts a wide range of input data formats from the graphic controller. The built-in video port supports 8/12/16/18/24-bit data interface as well as 80/86 MPU interface. The video format conversion module is capable of translating digital RGB-565, RGB-666, RGB-888 or YCrCb (ITU-R 656, ITU-R 601) signal to the DVI signal, combining with the audio stream. The input digital signal also can be transformed by the DACs for HDTV or VGA analog outputs. The device's video capture block supports input display resolution for up to 1366x768 which can be either interlaced or non-interlaced timing.

The CH7033B has incorporated a high speed SDRAM that allows manufactures to design their products to achieve simultaneous display digital signal and analog signal. Leverage the benefit of the framebuffer, the device's sophisticated scaler is able to produce two same video content, which will be routed to separate output driver for display. Frame Rate Conversion is embedded in the scaler; it can maximize the native input resolution up to 1080p for HD display. Furthermore the CH7033B provides additional image manipulation features including image rotation that can be controlled through programming internal registers.

The device supports both SPDIF and 2-channel I²S digital

APPLICATION

- Media Internet Devices
- Media Storage Boxes
- Smart-books
- Digital Video Players
- Digital Video Recorders
- Portable Media Players

audio input. Its high fidelity audio decoder engine has the capability of sampling audio frequency for up to 192k/2ch. The SPIDF supports PCM encoded data and compressed audio including Dolby Digital and DTS.

The CH7033B has an image enhancement function that can fine tune brightness, contrast, hue and saturation down to the pixel-level.

When the HPD signal is asserted, the CH7033B will automatically generate an interrupt to the processor. A build-in DDC port can read the EDID data from DVI monitor through programming registers by the processor.

CONFIDENTIAL
DO NOT COPY

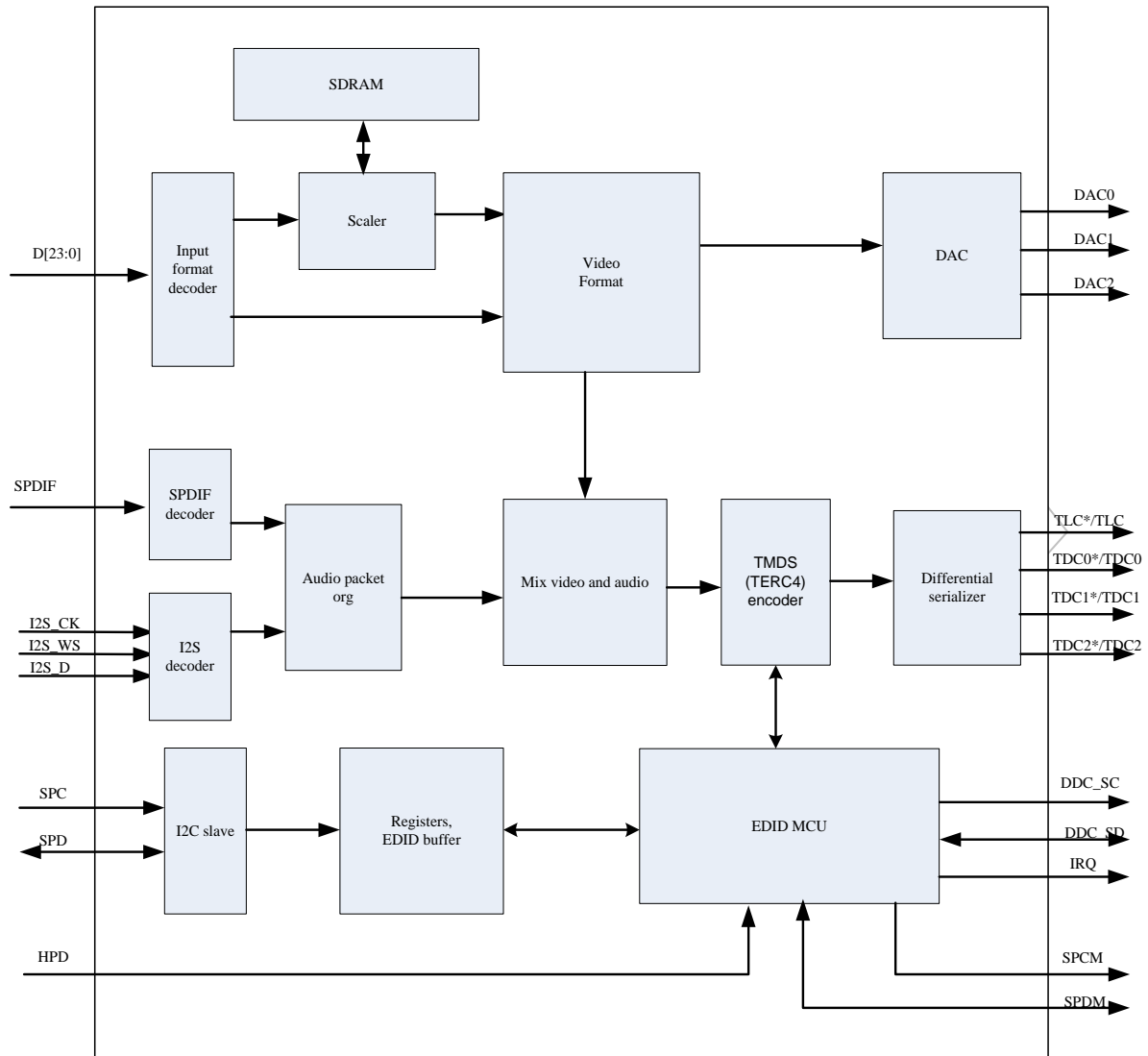


Figure 1: Functional Block Diagram

1.0 PIN-OUT

1.1 Package Diagram

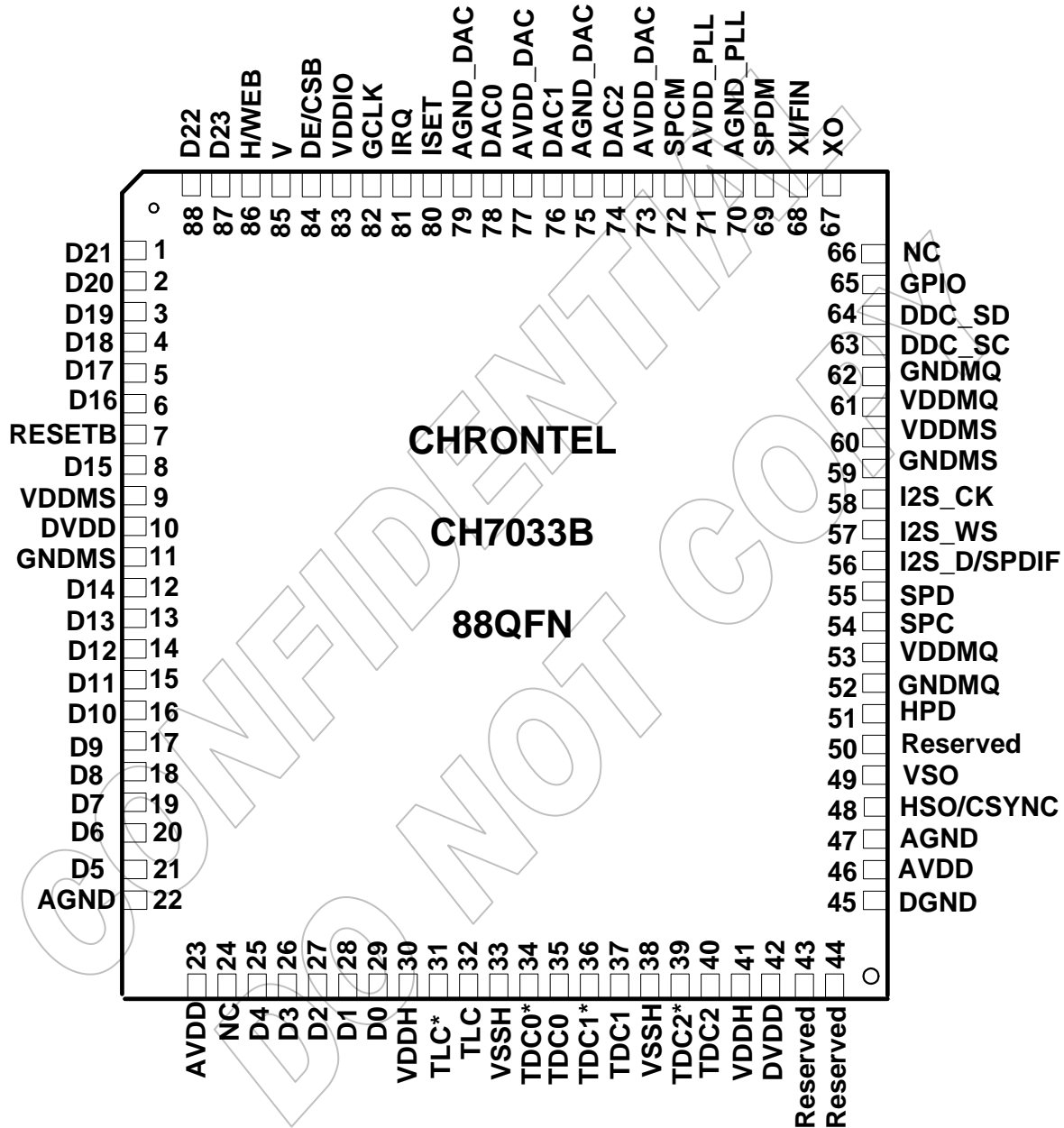


Figure 2: 88 pin QFN Package (Top View)

1.2 Pin Description

Table 1: Pin Name Descriptions (QFN88 Package)

Pin #	Type	Symbol	Description
1~6,8, 12~21, 25~29, 87~88,	In	D[23:0]	Data Input These pins accept 24 data input lines from a digital video port of a graphics controller. The swing is defined by VDDIO. All the unused Data input pins should be pulled low with 10KΩ resistors or shorted to Ground directly.
7	In	RESETB	Reset Input When this pin is low, the device is held in the power-on reset condition. When this pin is high, reset is controlled through the serial port.
31,32	Out	TLC*,TLC	DVI Clock Outputs These pins provide the differential clock output for the DVI .
34,35	Out	TDC0*,TDC0	DVI Data Channel 0 Outputs These pins provide the DVI differential outputs for data channel 0
36,37	Out	TDC1*,TDC1	DVI Data Channel 1 Outputs These pins provide the DVI differential outputs for data channel 1
39,40	Out	TDC2*,TDC2	DVI Data Channel 2 Outputs These pins provide the DVI differential outputs for data channel 2
43	N/A	Reserved	Reserved This pin should connect to DVDD directly
44	N/A	Reserved	Reserved This pin should connect to DGND directly
48	Out	HSO/CSYNC	Horizontal Sync Signal Output The amplitude of this pin is from 0 to AVDD It also functions as a Composite sync output.
49	Out	VSO	Vertical Sync Signal Output The amplitude of this pin is from 0 to AVDD
50	N/A	Reserved	Reserved This pin should be left open or pulled low with a 10 KΩ resistor in the application.
51	In	HPD	Hot Plug Detect This input pin determines whether the DVI output driver is connected to a DVI monitor. This pin should be pull low with 47 KΩ Resistor.
54	In	SPC	Serial Port Clock Input This pin functions as the clock pin of the serial port. External pull-up 6.8 KΩ resistor is required.
55	In/out	SPD	Serial Port Data Input / Output This pin functions as the bi-directional data pin of the serial port. External pull-up 6.8 KΩ resistor is required.
56	In	I2S_D/SPDIF	I2S Data input or SPDIF Audio Signal Input In default, this pin is configured to SPDIF audio signal input. The signal level is 0-2.5V. I2S audio input can be configured through programming CH7033B registers.
57	In	I2S_WS	I2S Channel Select Signal
58	In	I2S_CK	I2S Clock Signal
63	Out	DDC_SC	Routed Serial Port Clock Output to DDC This pin functions as the clock bus of the serial port to DDC receiver. This pin will require a pull-up 1.8 KΩ resistor to the desired voltage level. A pull-low resistor 10 KΩ to ground if unused.

Pin #	Type	Symbol	Description
64	In/out	DDC_SD	Routed Serial Port Data to DDC This pin functions as the bi-directional data pin of the serial port to DDC receiver. This pin will require a pull-up 1.8 K Ω resistor to the desired voltage level. A pull-low resistor 10 K Ω to ground if unused
65	In/out	GPIO	General Purpose Input Output
67	Out	XO	Crystal Output A parallel resonance crystal should be attached between this pin and XI/FIN. However, if an external CMOS clock is attached to XI/FIN, XO should be left open.
68	In	XI/FIN	Crystal Input / External Reference Input A parallel resonance crystal should be attached between this pin and XO. However, an external 3.3V CMOS compatible clock can drive the XI/FIN input.
69	In/Out	SPDM	Routed Serial Port Data to CH9904 BOOT ROM This pin functions as the bi-directional data pin of the serial port to CH9904 BOOT ROM. This pin will require a pull-up 6.8 K Ω resistor to the desired voltage level. A pull-low resistor 10K to ground if unused.
72	Out	SPCM	Routed Serial Port Clock Output to CH9904 BOOT ROM This pin functions as the clock bus of the serial port to CH9904 BOOT ROM. This pin will require a pull-up 6.8 K Ω resistor to the desired voltage level. A pull-low resistor 10 K Ω to ground if unused.
74	Out	DAC2	YPrPb or Analog RGB Output
76	Out	DAC1	YPrPb or Analog RGB Output
78	Out	DAC0	YPrPb or Analog RGB Output
80	In	ISET	Current Set Resistor Input This pin sets the DAC current. A 1.2 K Ω , 1% tolerance resistor should be connected between this pin and AGND_DAC using short and wide traces.
81	Out	IRQ	Programmed Interrupt output.
82	In	GCLK	External Clock Inputs The input is the clock signal input to the device for use with the H, V, DE and D[23:0] data.
84	In	DE/CSB	Data Input Indicator When the pin is high, the input data is active. When the pin is low, the input data is blanking. It is also a CSB signal input of MPU interface The amplitude will be 0V to VDDIO.
85	In/out	V	Vertical Sync Input/Output When the SYO control bit is low, this pin accepts a vertical sync input for use with the input data. The amplitude will be 0 to VDDIO. When the SYO control bit is high, the device will output a vertical sync pulse. The output is driven from the VDDIO supply.
86	In/out	H/WEB	Horizontal Sync Input / Output When the SYO control bit is low, this pin accepts a horizontal sync input for use with the input data. The amplitude will be 0 to VDDIO. When the SYO control bit is high, the device will output a horizontal sync pulse. The output is driven from the VDDIO supply. It is also the WEB signal of MPU interface.
24, 66	N/A	NC	Not Connect These pins should be left open.

Pin #	Type	Symbol	Description
9,60	Power	VDDMS	SDRAM Power Supply (3.3V)
59,11	Power	GNDMS	SDRAM Ground
10,42	Power	DVDD	Digital Power Supply (1.8V)
45	Power	DGND	Digital Ground
23,46	Power	AVDD	Analog Power Supply (3.3V)
22,47	Power	AGND	Analog Ground
30,41	Power	VDDH	DVI Power Supply (3.3V)
33,38	Power	VSSH	DVI Ground
53,61	Power	VDDMQ	SDRAM output buffer Power Supply (3.3V)
52,62	Power	GNDMQ	SDRAM output buffer Ground
71	Power	AVDD_PLL	PLL Power Supply (1.8V)
70	Power	AGND_PLL	PLL Ground
77,73	Power	AVDD_DAC	DAC Power Supply (3.3V)
75,79	Power	AGND_DAC	DAC Ground

2.0 PACKAGE DIMENSIONS

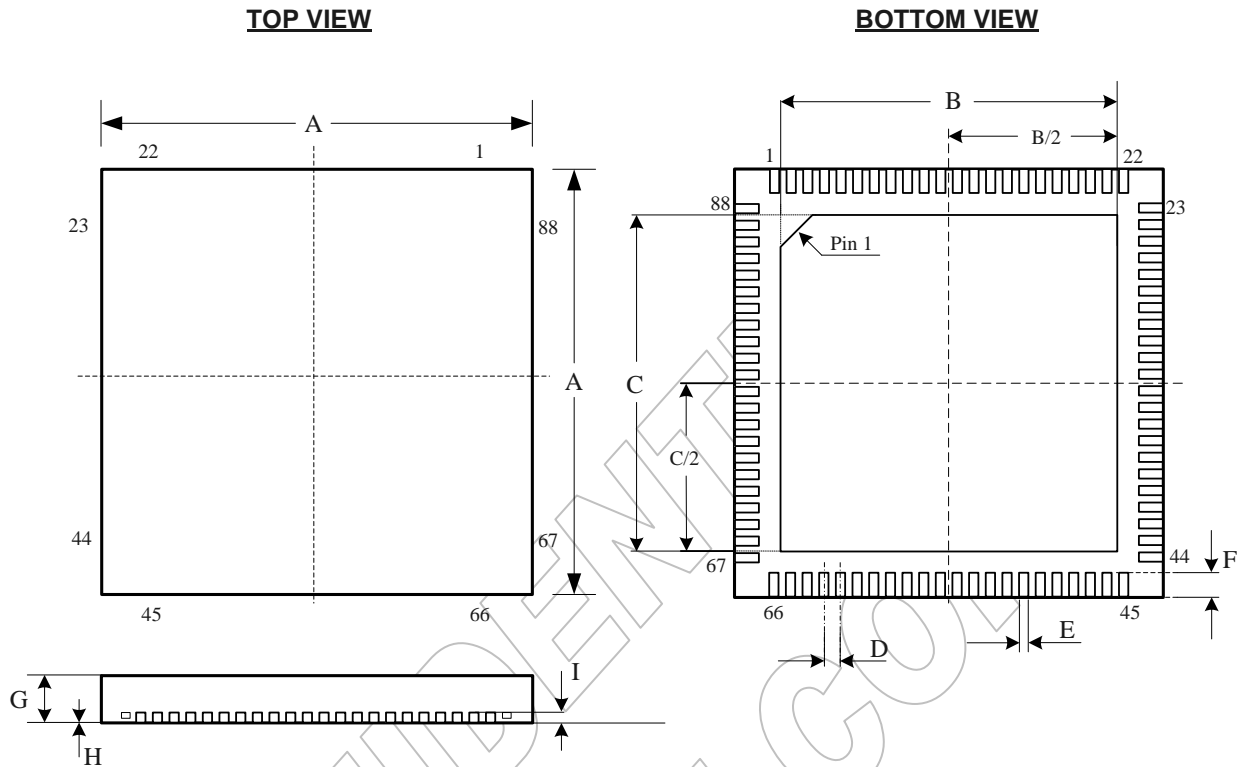


Figure 3: 88 Pin QFN Package (10 x 10 mm)

Table of Dimensions

No. of Leads		SYMBOL								
88 (10 X 10 mm)		A	B	C	D	E	F	G	H	I
Milli-meters	MIN	9.90	6.65	6.65	0.30	0.15	0.40	0.80	0	0.20
	NOM	10.00	6.75	6.75	0.40	0.20	0.50	0.85	-	
	MAX	10.10	6.85	6.85	0.50	0.25	0.60	0.90	0.05	

Notes:

1. Conforms to JEDEC standard JESD-30 MO-220.

Disclaimer

This document provides technical information for the user. Chrontel reserves the right to make changes at any time without notice to improve and supply the best possible product and is not responsible and does not assume any liability for misapplication or use outside the limits specified in this document. We provide no warranty for the use of our products and assume no liability for errors contained in this document. The customer should make sure that they have the most recent data sheet version. Customers should take appropriate action to ensure their use of the products does not infringe upon any patents. Chrontel, Inc. respects valid patent rights of third parties and does not infringe upon or assist others to infringe upon such rights.

Chrontel PRODUCTS ARE NOT AUTHORIZED FOR AND SHOULD NOT BE USED WITHIN LIFE SUPPORT SYSTEMS OR NUCLEAR FACILITY APPLICATIONS WITHOUT THE SPECIFIC WRITTEN CONSENT OF Chrontel. Life support systems are those intended to support or sustain life and whose failure to perform when used as directed can reasonably expect to result in personal injury or death.

ORDERING INFORMATION			
Part Number	Package Type	Operating Temperature Range	Minimum Order Quantity
CH7033B-BF	88QFN, Lead-free	Commercial : 0 to 70°C	168/Tray
CH7033B-BFI	88QFN, Lead-free	Industrial : -40 to 85°C	168/Tray

Chrontel

Chrontel International Limited

129 Front Street, 5th floor,

Hamilton, Bermuda HM12

www.chrontel.com

E-mail: sales@chrontel.com