
CH7034B HDTV/VGA/LVDS Encoder

FEATURES

- Supports multiple output display formats – including Component YPrPb(HDTV), LVDS and analog RGB (VGA)
- Three 10-bit high speed DACs
- HDTV output support up to 1080p
- Analog RGB (VGA) support up to 1920x1080 resolution
- Single channel LVDS 18-bit transmitter supports input resolution up to 1366x768
- Support scaled and bypassed video streams output from VGA/HDTV and LVDS interfaces simultaneously
- Supports panel protection, power sequencing and backlight on/off. PWM is available for controlling LCD brightness
- TV/Monitor connection detect capability. DACs can be switched off through programming internal registers
- On-chip SDRAM frame buffer to support frame rate conversion.
- Programmable adaptive de-flickering filter
- Supports 8/12/16/18/24-bit parallel interface inputs for either RGB format or YCbCr format (ITU-R 656 or ITU-R 601). 80/86 MPU interface and DE only mode are also supported.
- Wide range of input resolutions support for up to 1366x768 (i.e. 640x480 720x480, 720x576, 800x600, 1024x600, 1024x768, 1280x800, and etc.)
- Image display rotation support at 90/180/270 degree or flipped in horizontal/vertical position
- Pixel-level color enhancement for brightness, contrast, hue and saturation adjustment for HDTV
- Horizontal/vertical position adjusted through serial port programming
- Pixel clock input frequency support for up to 165 MHz
- Flexible crystal or oscillator clock input frequency (2.3MHz – 64MHz)
- IO Supply Voltages from 1.2V to 3.3V and SPC/SPD Supply Voltages from 1.8V to 3.3V.
- Programmable power management
- Device fully programmable through serial port or can automatically load firmware from Chrontel Boot ROM (CH9904)
- Offered in a 88-pin QFN package

GENERAL DESCRIPTIONS

Chrontel CH7034B is specifically designed for a portable system that requires connections to LCD display, High Definition Television (HDTV) or RGB (VGA) monitor. With its advanced video encoder, flexible scaling engine and easy-to-configure video interface, the CH7034B satisfies manufactures' product display requirements and reduces their costs of development and time-to-market.

The CH7034B provides analog RGB and YPrPb outputs that allow a system to display high definition media content to HDTV/RGB monitors. The device is compliant with EIA770-3 and SMPTE 274M/293M /296M standards and supports HDTV resolution up to 1080p. The 3 high-performance, 10-bit DACs can be used for either HDTV display or VGA output. The CH7034B has the ability to generate composite syncs if required by the RGB monitor.

To support portable computer with LCD display, the CH7034B has incorporated an one-channel, 18-bit output LVDS transmitter. On-chip dithering function is available to convert 24-bit color to 18-bit color LCD panels. Two popular LVDS standards, the OpenLDI and the VESA SPWG are supported by the CH7034B LVDS driver. The preferred standard and its display timing can be configured through devices' registers when system is powered on.

The CH7034B is equipped with panel protection mechanism to switch off the LCD instantly if input data is missing or unstable. The panel on/off sequences and backlight control can be configured through programming internal registers. In addition, a built-in PWM function can be used to achieve digital dimming for LCD panel.

The CH7034B converts a wide range of input formats to HDTV/VGA outputs and LVDS display. RGB data format such as 16-bit 5:6:5, 18-bit 6:6:6 or 24-bit 8:8:8 enters through the device's 24-bit bus. In YCrCb format, either 24-bit 4:4:4 data or 16-bit 4:2:2 is supported by the CH7034B's color space converter. The device's video capture block also has an option to support 80/86 MPU interface. The input video signal can be either interlaced or non-interlaced data formats.

With its embedded high speed SDRAM, the CH7034B can help manufactures design their products to achieve simultaneous LVDS and HDTV/VGA display. Thanks to the sophisticated scaler, the input LCD data with low resolution or reduced-frame rate can be covert to high

APPLICATION

- Mobile Internet Devices
- Smartbook / Electronic Book
- Tablet Device
- Portable DVD Players
- Docking Station

quality HDTV or VGA display without extra loading on the processor. Also, by taking the advantage of the framebuffer, the scaler can perform other image manipulations including resizing and rotation.

CONFIDENTIAL
DO NOT COPY

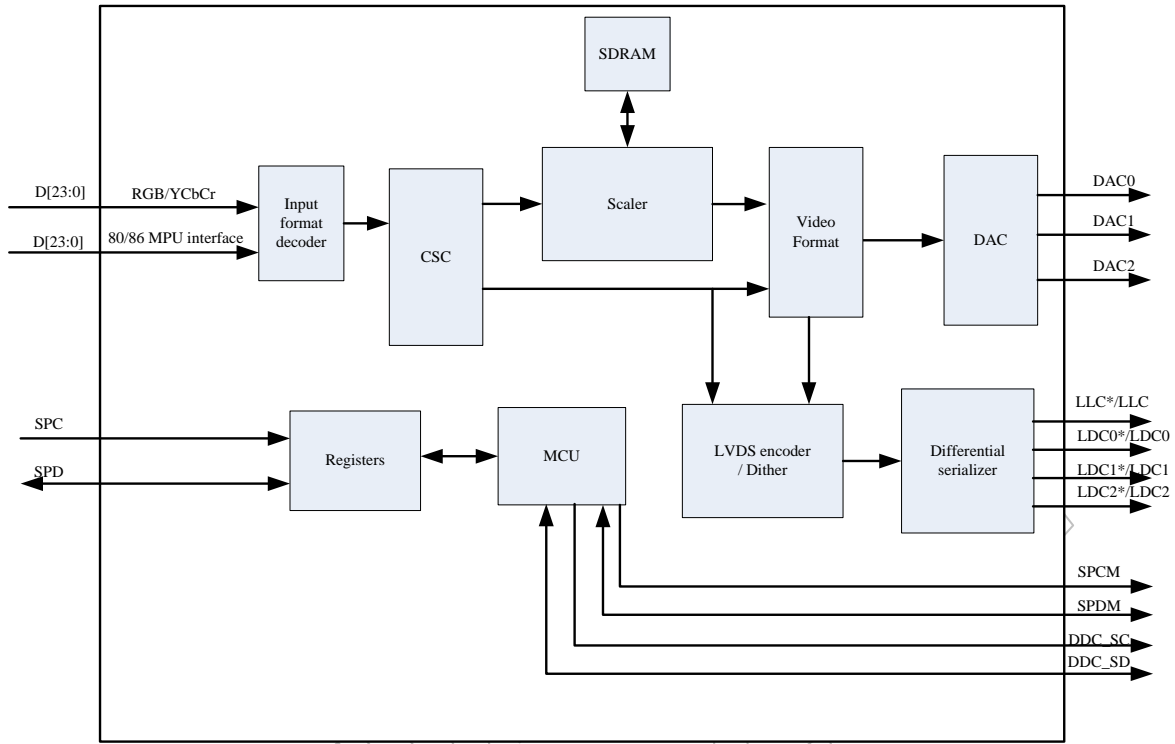


Figure 1: Functional Block Diagram

CONFIDENTIAL
DO NOT

1.0 PIN ASSIGNMENT

1.1 Package Diagram

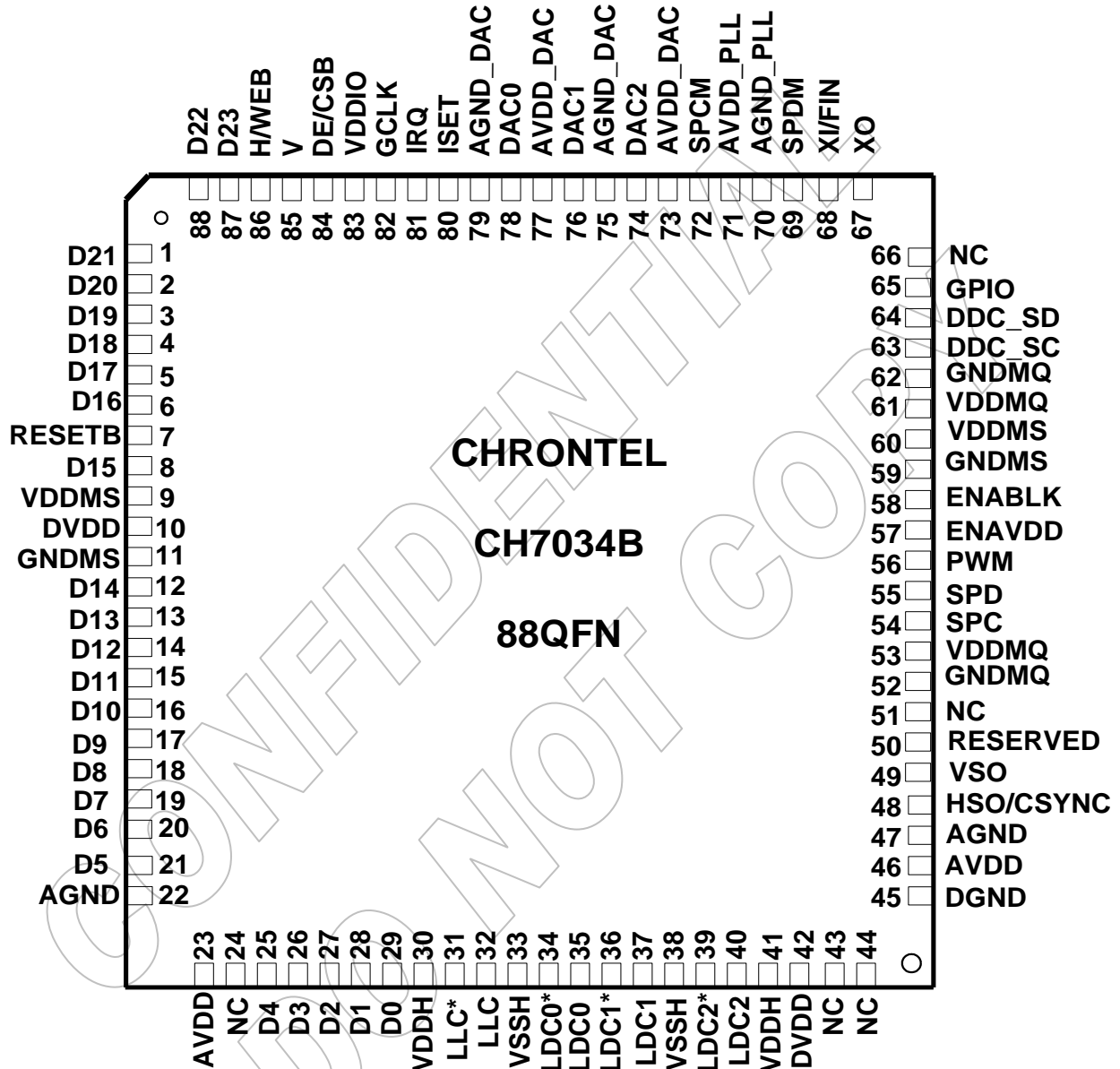


Figure 2: 88 pin QFN Package (Top View)

1.2 Pin Description

Table 1: Pin Name Descriptions (QFN88 pin Package)

Pin #	Type	Symbol	Description
1~6,8, 12~21, 25~29, 87~88,	In	D[23:0]	Data Input These pins accept 24 data input lines from a digital video port of a graphics controller. The swing is defined by VDDIO. All the unused data input pins should be pulled low with 10 KΩ resistors or shorted to Ground directly.
7	In	RESETB	Reset Input When this pin is low, the device is held in the power-on reset status. When this pin is high, reset is controlled through the serial port.
31,32	Out	LLC*,LLC ^[1]	LVDS Clock Outputs These pins provide the differential clock output for the LVDS.
34,35	Out	LDC0*,LDC0 ^[1]	LVDS Data Channel 0 Outputs These pins provide the LVDS differential outputs for data channel 0.
36,37	Out	LDC1*,LDC1 ^[1]	LVDS Data Channel 1 Outputs These pins provide the LVDS differential outputs for data channel 1.
39,40	Out	LDC2*,LDC2 ^[1]	LVDS Data Channel 2 Outputs These pins provide the LVDS differential outputs for data channel 2.
48	Out	HSO/CSYNC	Horizontal sync signal output The amplitude of this pin is from 0 to AVDD. It also functions as a Composite sync output
49	Out	VSO	Vertical sync signal output The amplitude of this pin is from 0 to AVDD.
50	N/A	RESERVED	Reserved This pin should be left open or pulled low with a 10 KΩ resistor in the application.
54	In	SPC	Serial Port Clock Input This pin functions as the clock pin of the serial port. External pull-up 6.8 KΩ resistor is required.
55	In/out	SPD	Serial Port Data Input / Output This pin functions as the bi-directional data pin of the serial port. External pull-up 6.8 KΩ resistor is required.
56	Out	PWM	Backlight brightness adjustment
57	Out	ENAVDD	Panel Power Enable Enable LCD panel VDD
58	Out	ENABLK	Back Light Enable Enable back light of LCD panel
63	Out	DDC_SC	Routed Serial Port Clock Output to DDC This pin functions as the clock bus of the serial port to DDC receiver. This pin will require a pull-up resistor to the desired voltage level. A pull-low resistor 10 KΩ to ground if unused.
64	In/out	DDC_SD	Routed Serial Port Data to DDC This pin functions as the bi-directional data pin of the serial port to DDC receiver. This pin will require a pull-up resistor to the desired voltage level. A pull-low resistor 10 KΩ to ground if unused
65	In/ out	GPIO	General Purpose Input Output
67	Out	XO	Crystal Output A parallel resonance crystal should be attached between this pin and XI/FIN. However, if an external CMOS clock is attached to XI/FIN, XO should be left open.
68	In	XI/FIN	Crystal Input / External Reference Input A parallel resonance crystal should be attached between this pin and

			XO. However, an external 3.3V CMOS compatible clock can drive the XI/FIN input.
69	In/Out	SPDM	Routed Serial Port Data to CH9904 BOOT ROM This pin functions as the bi-directional data pin of the serial port to CH9904 BOOT ROM. This pin will require a pull-up 6.8 K Ω resistor to the desired voltage level. A pull-low resistor 10K to ground if unused.
72	Out	SPCM	Routed Serial Port Clock Output to CH9904 BOOT ROM This pin functions as the clock bus of the serial port to CH9904 BOOT ROM. This pin will require a pull-up 6.8 K Ω resistor to the desired voltage level. A pull-low resistor 10 K Ω to ground if unused.
74	Out	DAC2	YpbPr or Analog RGB output Full swing is up to 1.3V
76	Out	DAC1	YpbPr or Analog RGB output Full swing is up to 1.3V
78	Out	DAC0	YpbPr or Analog RGB output Full swing is up to 1.3V
80	In	ISET	Current Set Resistor Input This pin sets the DAC current. A 1.2 K Ω , 1% tolerance resistor should be connected between this pin and AGND_DAC using short and wide traces.
81	Output	IRQ	Programmed Interrupt output.
82	In	GCLK	External Clock Inputs The input is the clock signal input to the device for use with the H, V, DE and D[23:0] data.
84	In	DE/CSB	Data Input Indicator When the pin is high, the input data is active. When the pin is low, the input data is blanking. It is also a CSB signal input of CPU interface The amplitude will be 0 to VDDIO.
85	In/Out	V	Vertical Sync Input/Output When the SYO control bit is low, this pin accepts a vertical sync input for use with the input data. The amplitude will be 0 to VDDIO. When the SYO control bit is high, the device will output a vertical sync pulse. The output is driven from the VDDIO supply.
86	In/Out	H/WEB	Horizontal Sync Input / Output When the SYO control bit is low, this pin accepts a horizontal sync input for use with the input data. The amplitude will be 0 to VDDIO. When the SYO control bit is high, the device will output a horizontal sync pulse. The output is driven from the VDDIO supply. It is also the WEB signal of CPU interface.
24,43,44, 51,65, 66	N/A	NC	Not Connect These pins should be left open.
9,60	Power	VDDMS	SDRAM Power Supply (3.3V)
59,11	Power	GNDMS	SDRAM Ground
10,42	Power	DVDD	Digital Power Supply (1.8V)
45	Power	DGND	Digital Ground
23,46	Power	AVDD	Analog Power Supply (2.5V-3.3V)
22,47	Power	AGND	Analog Ground
30,41	Power	VDDH	LVDS Power Supply (3.3V)
33,38	Power	VSSH	LVDS Ground

53,61	Power	VDDMQ	SDRAM output buffer Power Supply (3.3V)
52,62	Power	GNDMQ	SDRAM output buffer Ground
71	Power	AVDD_PLL	PLL Power Supply (1.8V)
70	Power	AGND_PLL	PLL Ground
77,73	Power	AVDD_DAC	DAC Power Supply (2.5V-3.3V)
75,79	Power	AGND_DAC	DAC Ground
83	Power	VDDIO	IO Power Supply (1.2-3.3V)

Notes:

1. The clock/data order and the polarity of the 4 output channels are programmable.

CONFIDENTIAL
DO NOT COPY

2.0 PACKAGE DIMENSIONS

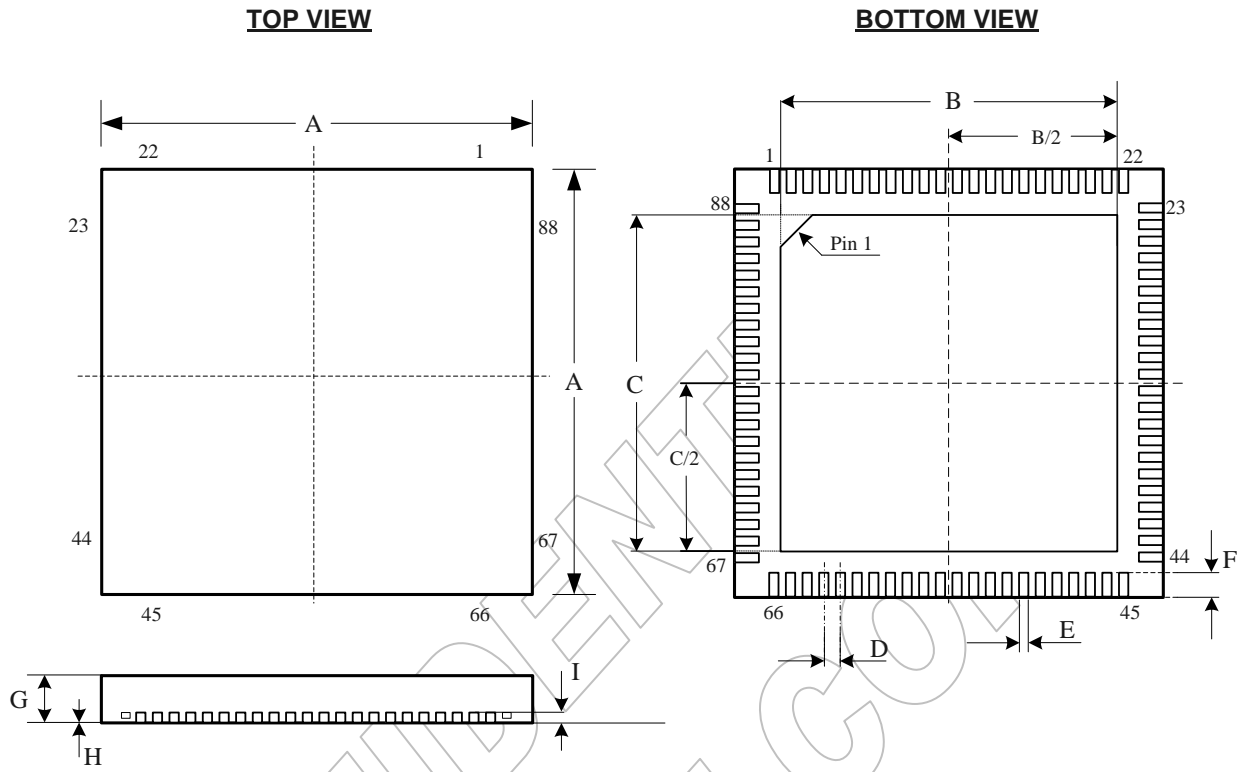


Figure 3: 88 Pin QFN Package (10 x 10 mm)

Table of Dimensions

No. of Leads		SYMBOL								
88 (10 X 10 mm)		A	B	C	D	E	F	G	H	I
Milli-meters	MIN	9.90	6.65	6.65	0.30	0.15	0.40	0.80	0	0.20
	NOM	10.00	6.75	6.75	0.40	0.20	0.50	0.85	-	
	MAX	10.10	6.85	6.85	0.50	0.25	0.60	0.90	0.05	

Notes:

1. Conforms to JEDEC standard JESD-30 MO-220.

Disclaimer

This document provides technical information for the user. Chrontel reserves the right to make changes at any time without notice to improve and supply the best possible product and is not responsible and does not assume any liability for misapplication or use outside the limits specified in this document. We provide no warranty for the use of our products and assume no liability for errors contained in this document. The customer should make sure that they have the most recent data sheet version. Customers should take appropriate action to ensure their use of the products does not infringe upon any patents. Chrontel, Inc. respects valid patent rights of third parties and does not infringe upon or assist others to infringe upon such rights.

Chrontel PRODUCTS ARE NOT AUTHORIZED FOR AND SHOULD NOT BE USED WITHIN LIFE SUPPORT SYSTEMS OR NUCLEAR FACILITY APPLICATIONS WITHOUT THE SPECIFIC WRITTEN CONSENT OF Chrontel. Life support systems are those intended to support or sustain life and whose failure to perform when used as directed can reasonably expect to result in personal injury or death.

ORDERING INFORMATION			
Part Number	Package Type	Operating Temperature Range	Minimum Order Quantity
CH7034B-BF	88QFN, Lead-free	Commercial : -20 to 70°C	168 pcs/Tray
CH7034B-BFI	88QFN, Lead-free	Industrial : -40 to 85°C	168 pcs/Tray

Chrontel

Chrontel International Limited

129 Front Street, 5th floor,
Hamilton, Bermuda HM12

www.chrontel.com
E-mail: sales@chrontel.com